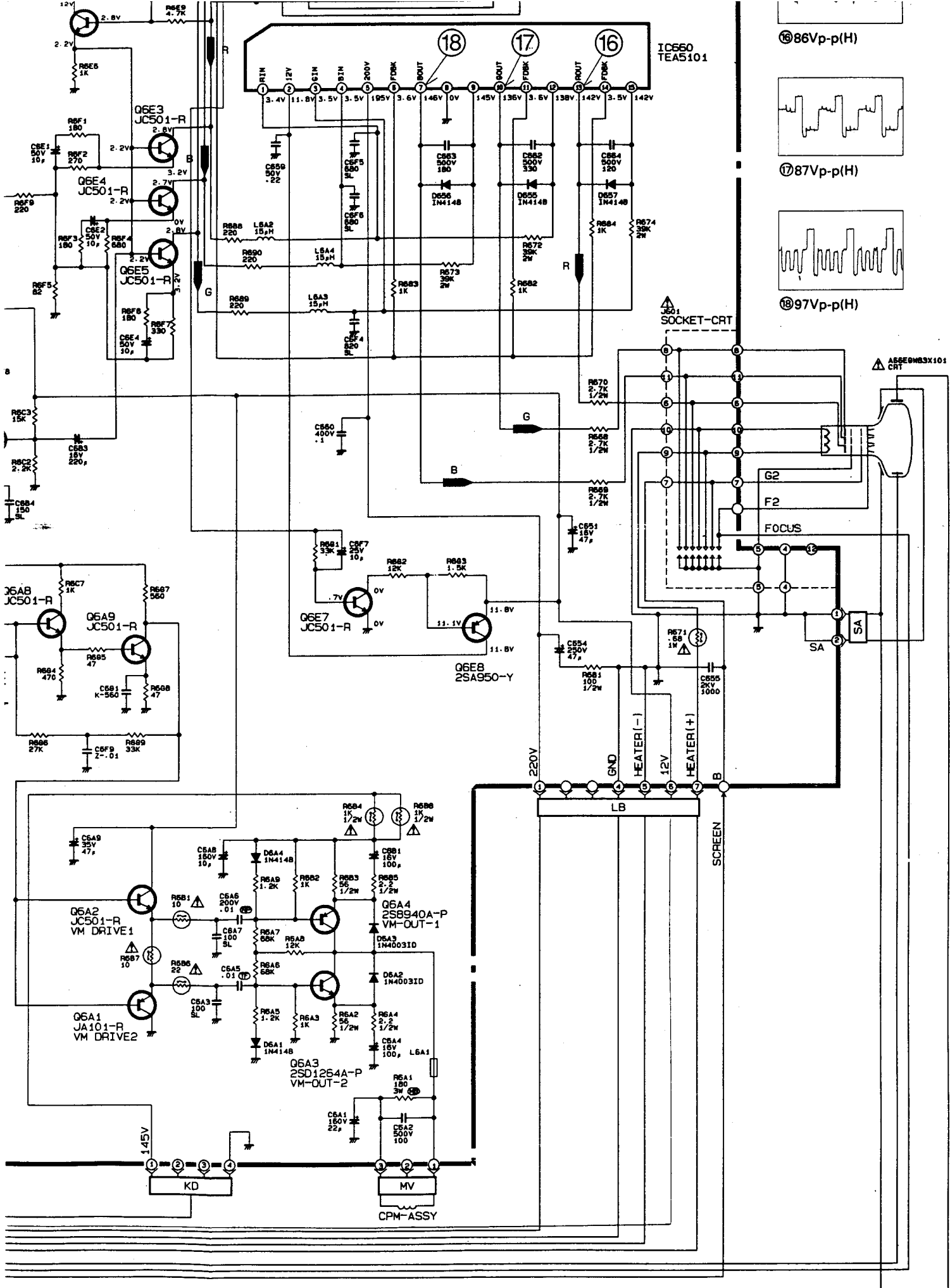


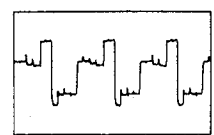
⑨0.35Vp-p(V)

⑩54Vp-p(V)

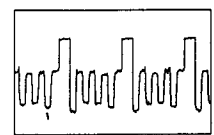
- CT-25AV1BD
- CT-25AV1LD
- CT-25AV1BDS
- CT-28AV1BD
- CT-28AV1LD
- CT-28AV1BDS



⑧86Vp-p(H)

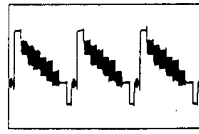


⑨87Vp-p(H)

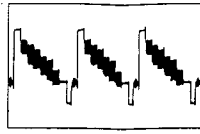


⑩89Vp-p(H)

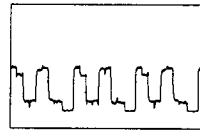
- CT-25AV1BD
- CT-25AV1LD
- CT-25AV1BDS
- CT-28AV1BD
- CT-28AV1LD
- CT-28AV1BDS



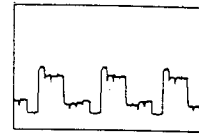
① 2.0Vp-p(H)



② 1.0Vp-p(H)

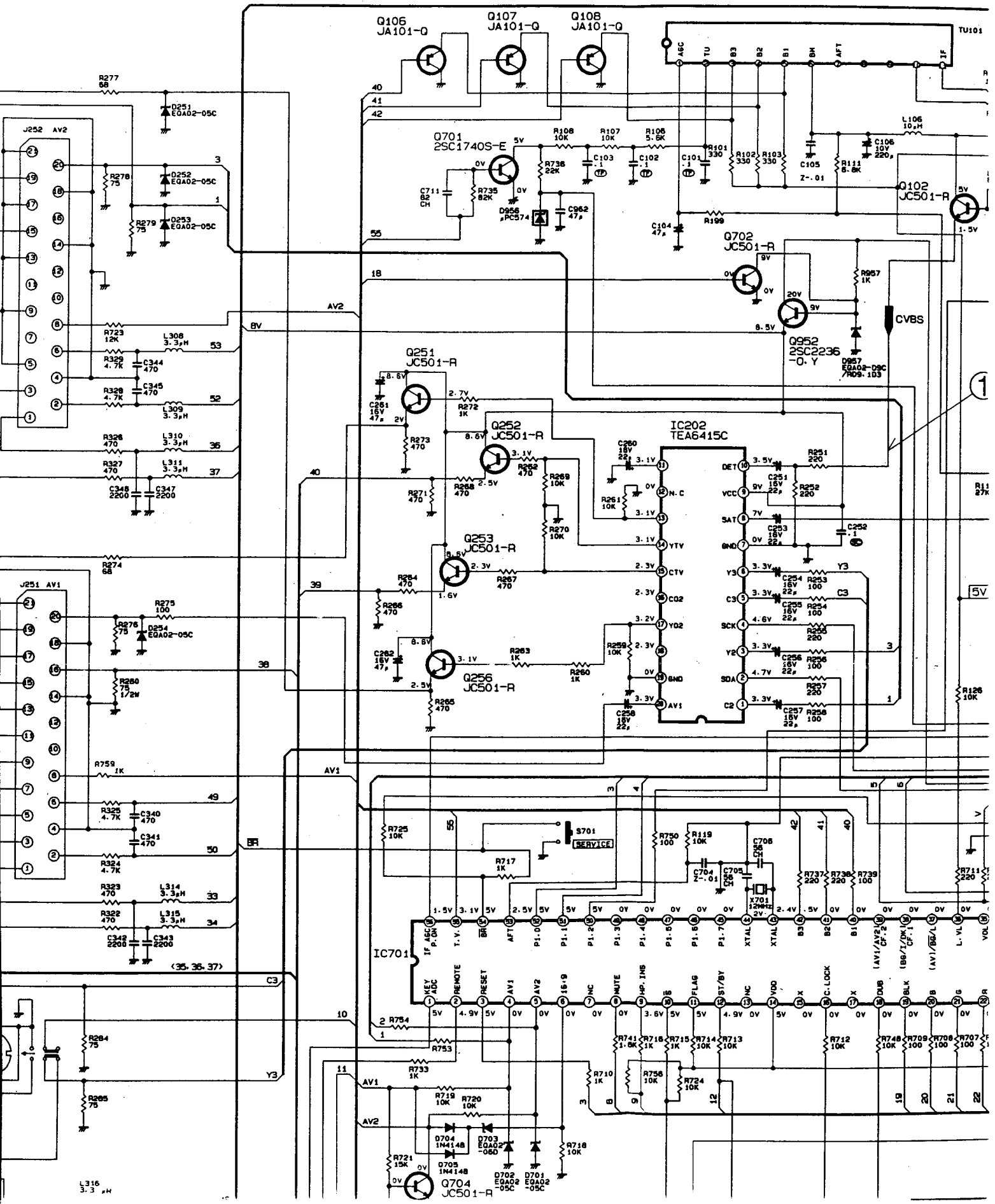


③ 1.5Vp-p(H)

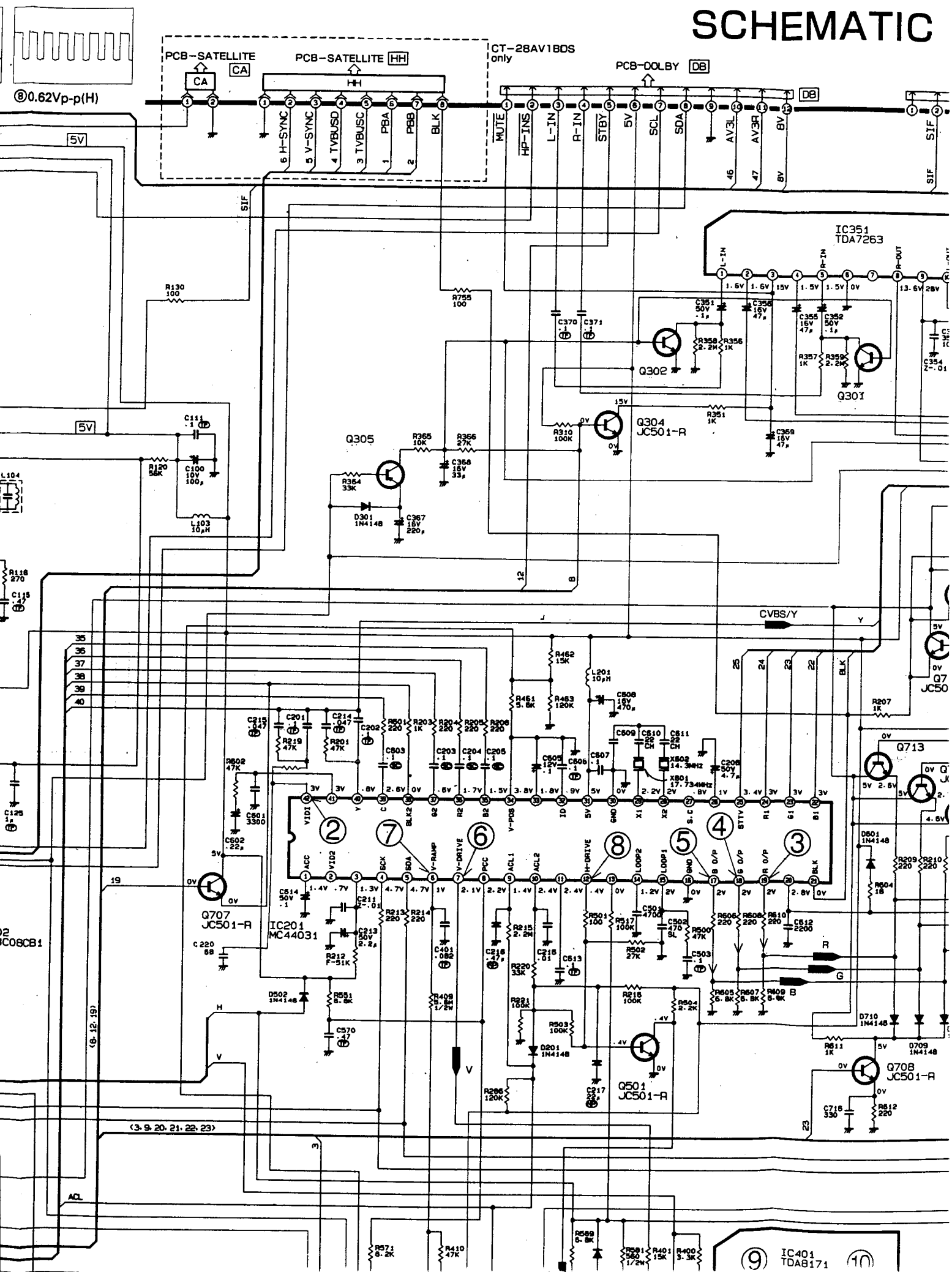


④ 1.6Vp-p(H)

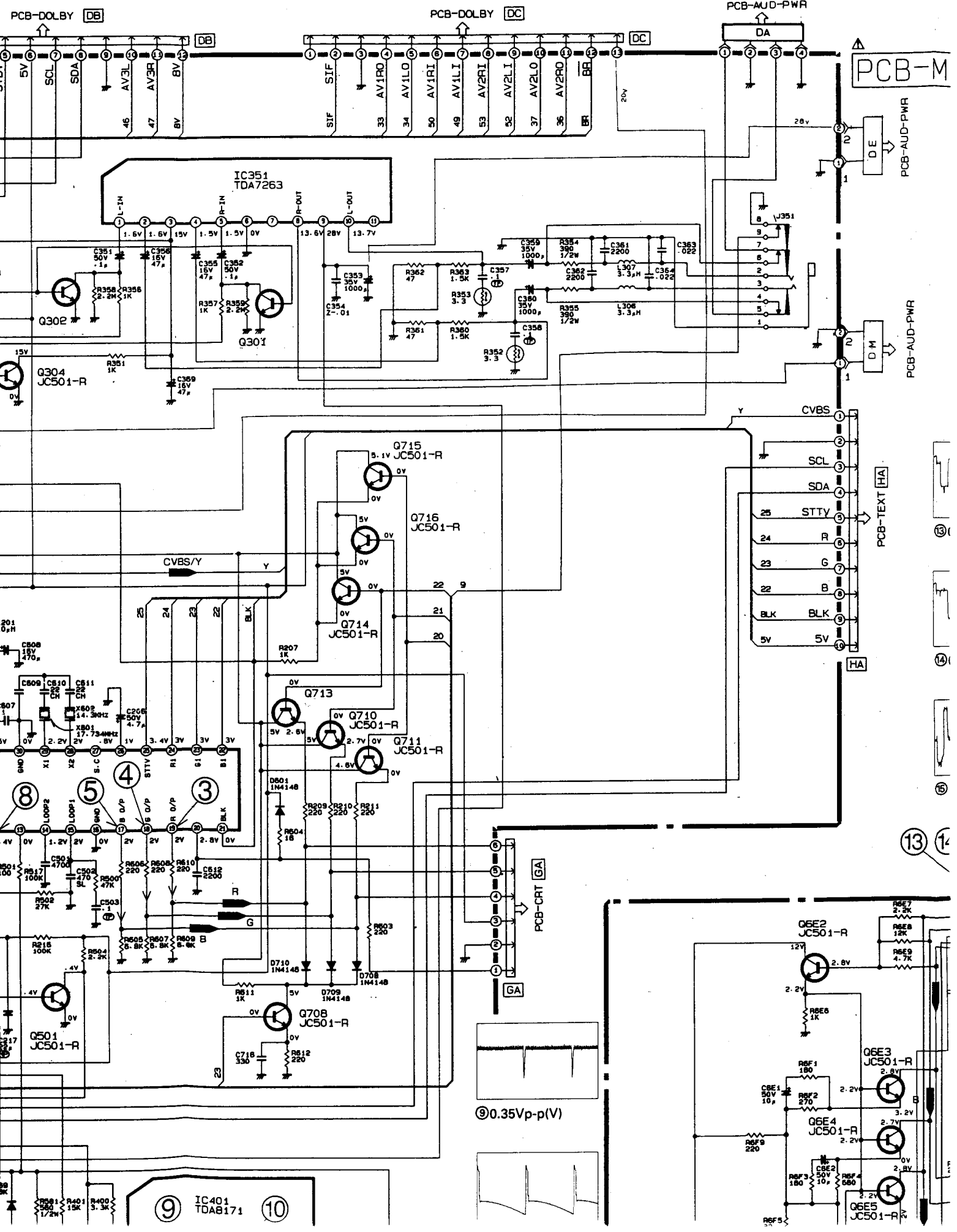
⑤



SCHEMATIC



SCHEMATIC DIAGRAMS : CT-28AV1BD/L

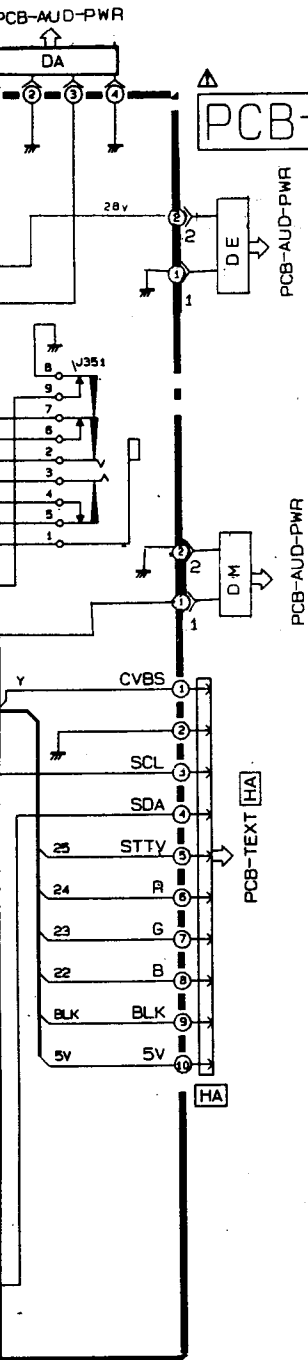


③ 0.35Vp-p(V)

13 14

9 IC401 TDA171 10

28AV1BD/LD/BDS

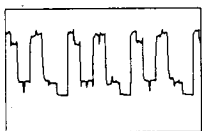


DIFFERENCE TABLE

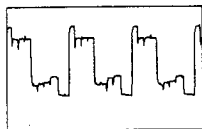
	BDS	LD	BD
Q105		○	
Q107		○	
Q108		○	
R102		○	
R103		○	
SF101	J3950	K3953	J3950
TU101	U1343	UV1315	UV1343

PCB-MAIN

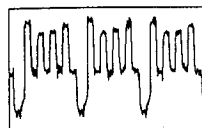
PCB-TEXT [HA]



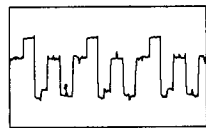
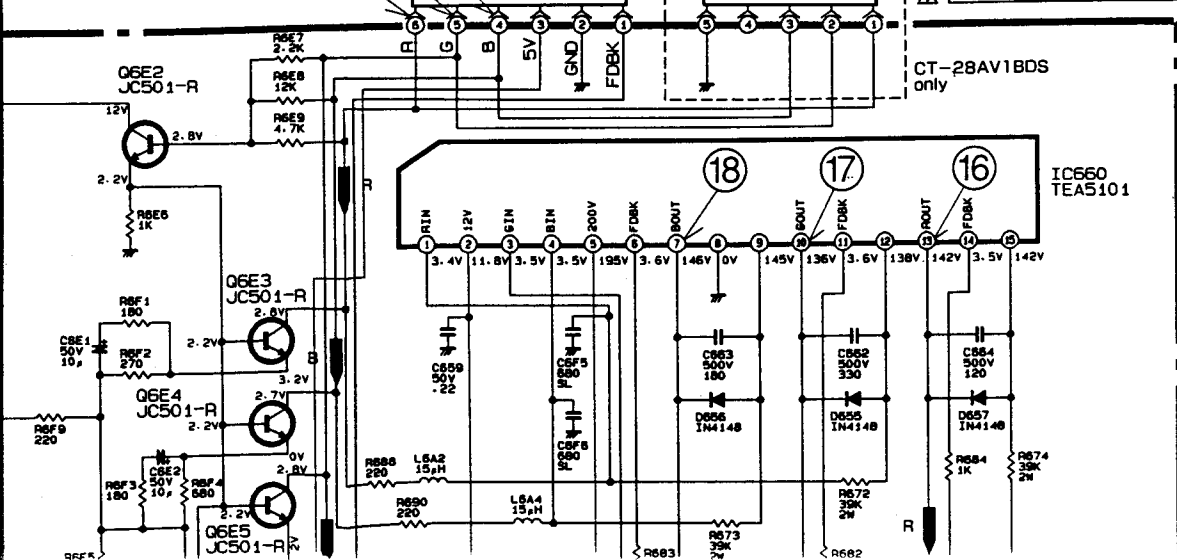
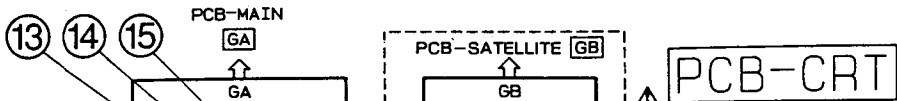
⑬ 0.86Vp-p(H)



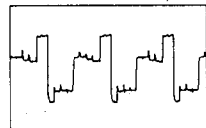
⑭ 0.92Vp-p(H)



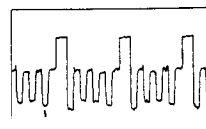
⑮ 1.3Vp-p(H)



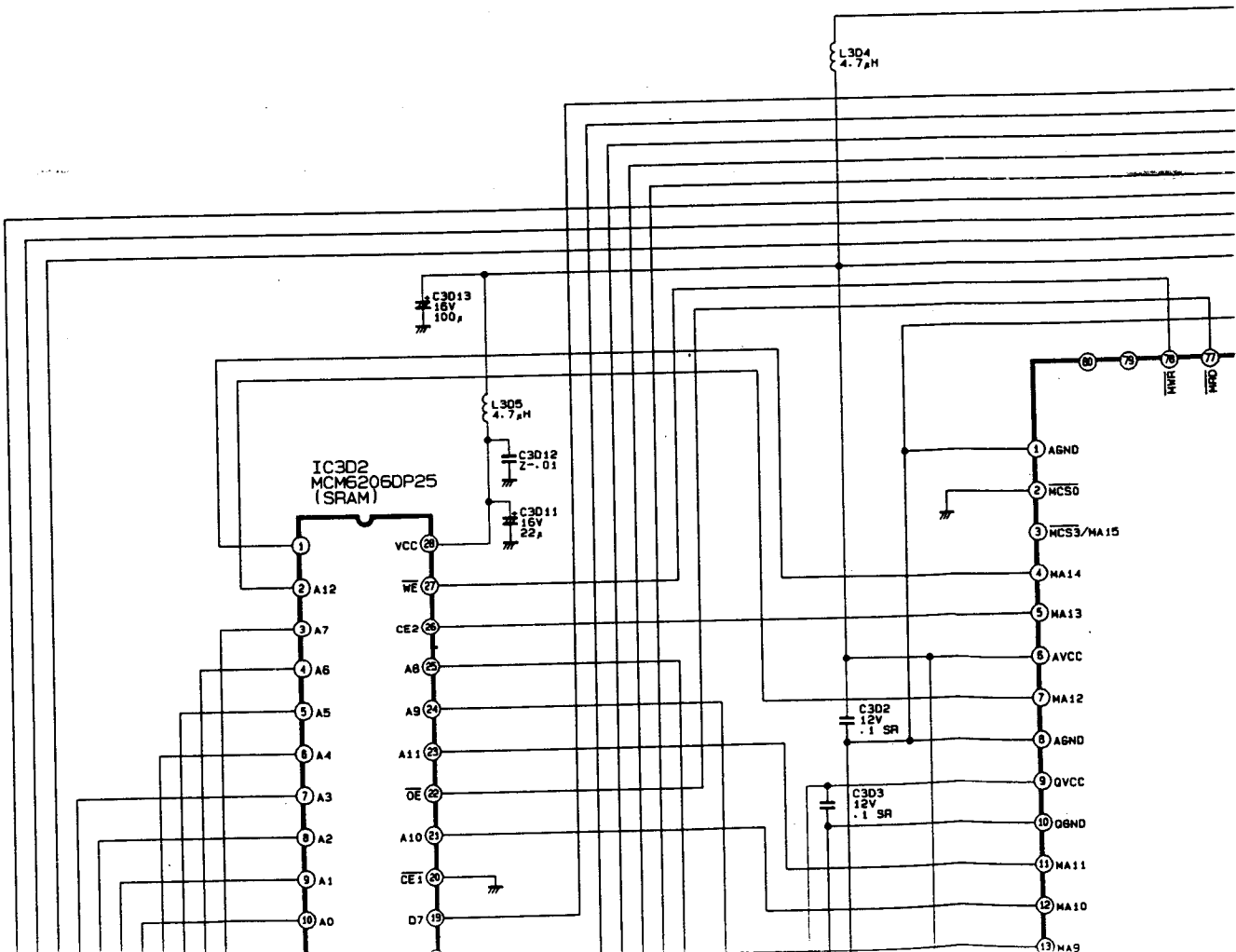
⑯ 86Vp-p(H)



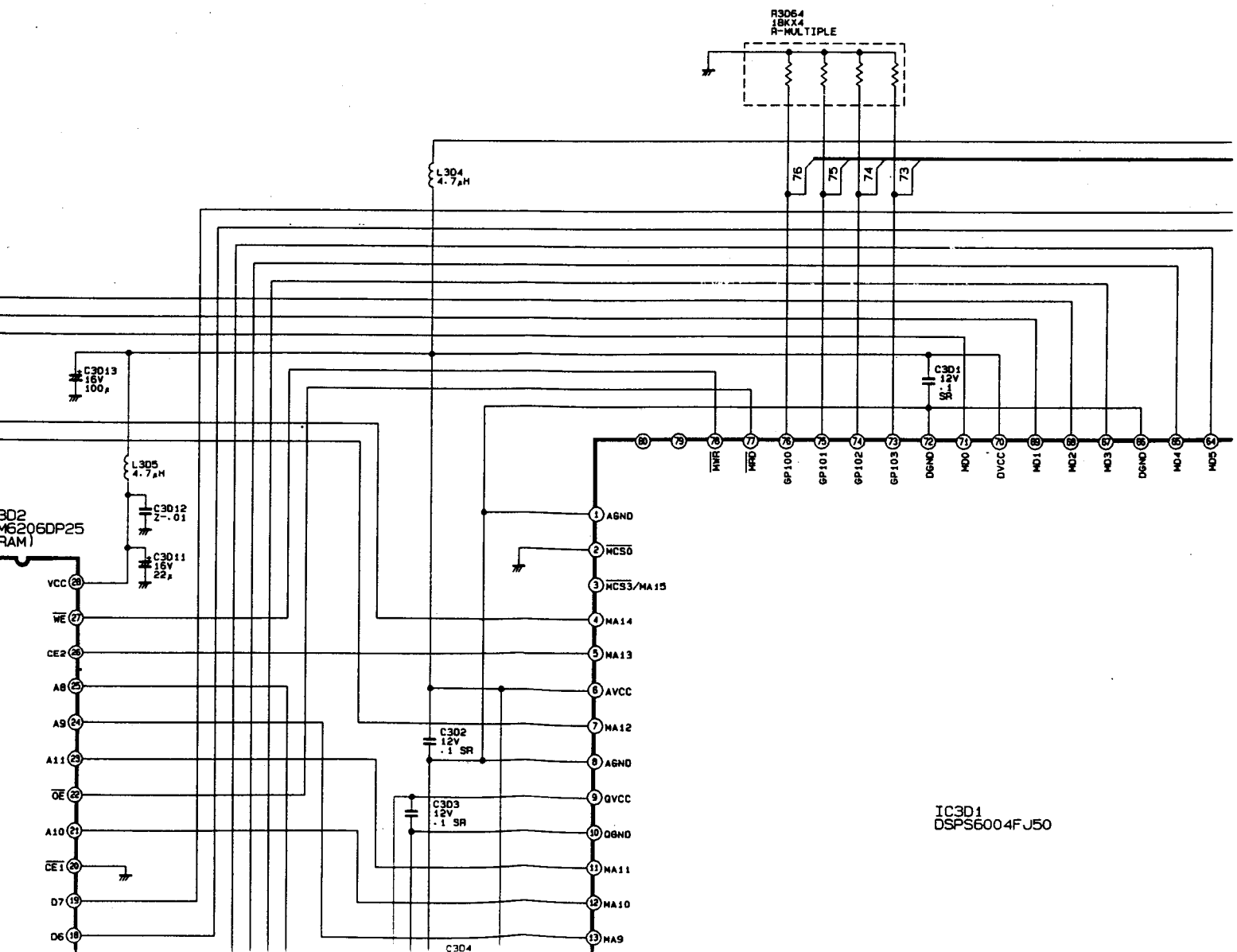
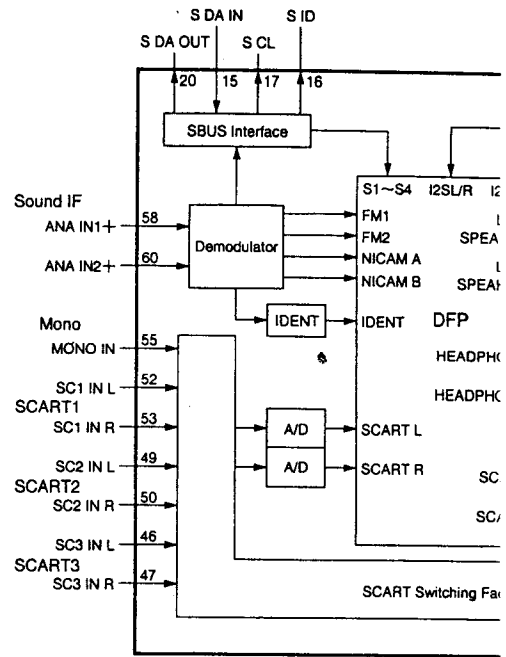
⑰ 87Vp-p(H)



△ PCB-DOLBY

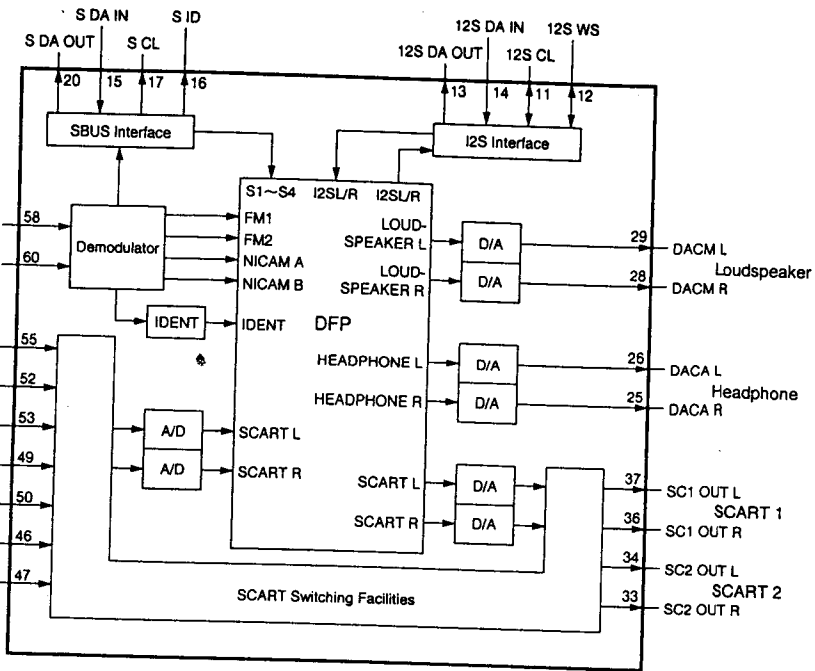


IC301 MSP3410

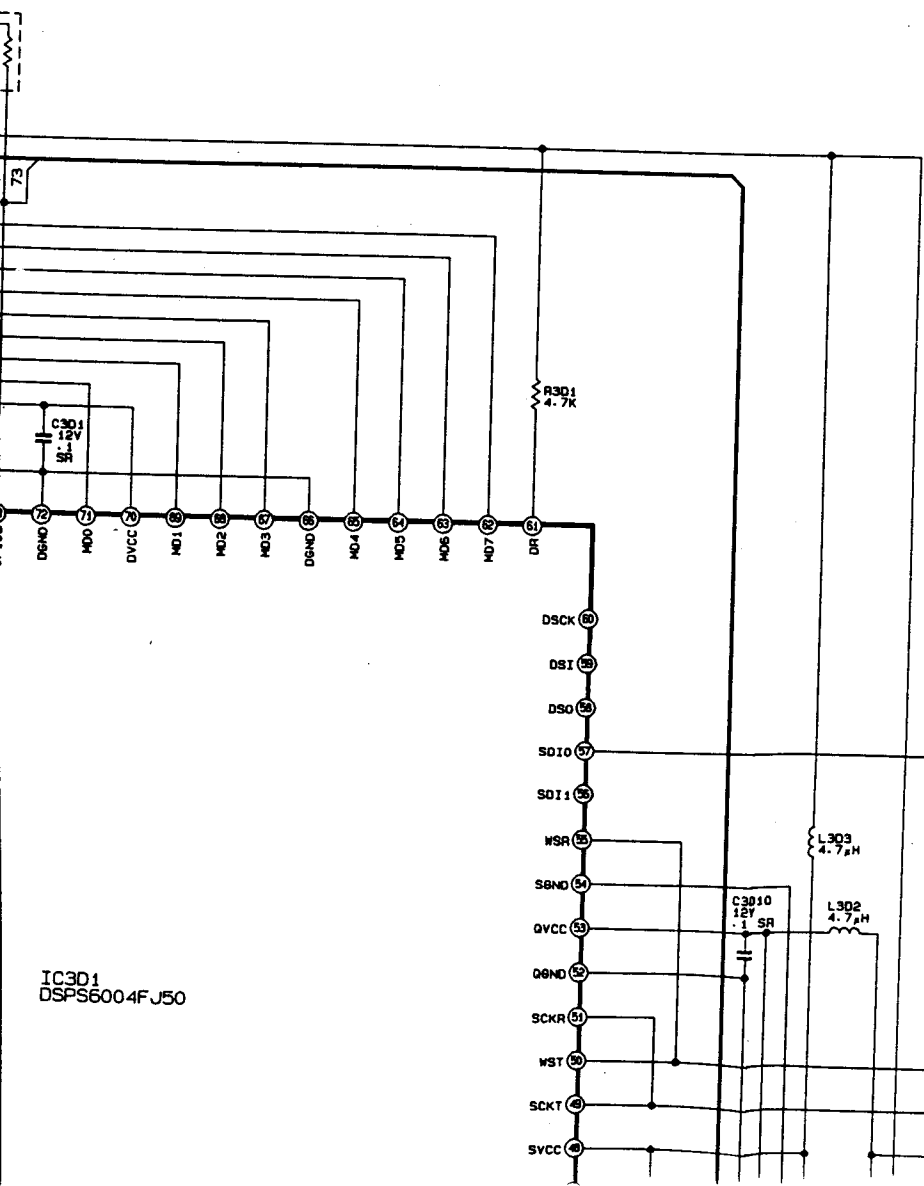
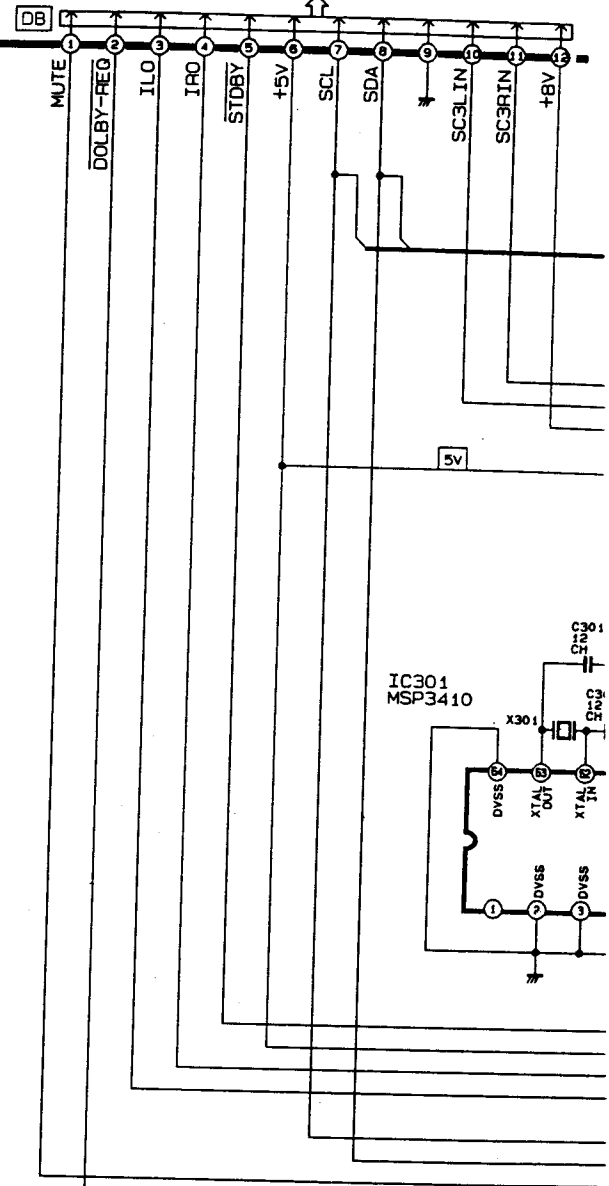


IC301
DPS6004FJ50

IC301 MSP3410



PCB-MAIN DB



IC301 DSPS6004FJ50

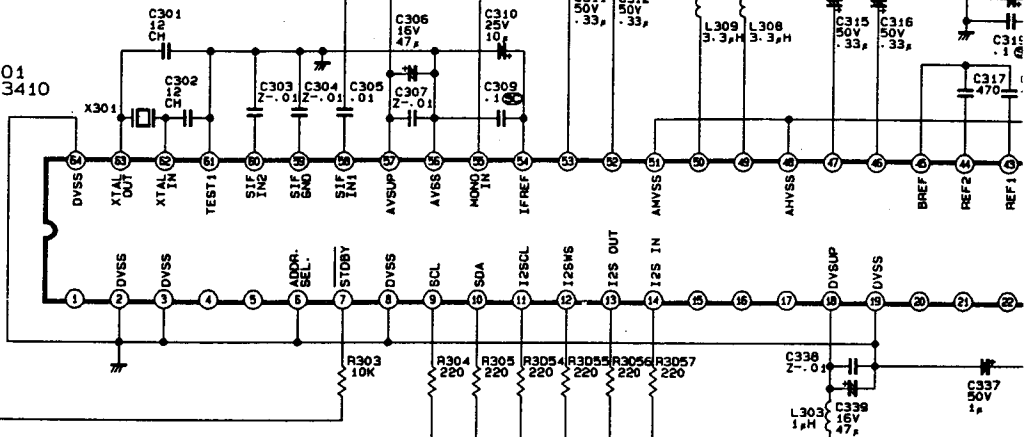
PCB-MAIN DB

DB MUTE
 DOLBY-REG
 ILO
 IRO
 STDBY
 +5V
 SCL
 SDA
 SC3LIN
 SC3RIN
 +8V

CT-25AV180
 CT-25AV180
 CT-25AV180
 only.

5V

IC301 MSP3410



I2S-CL
 I2S-IN
 I2S-OUT
 I2S-IN
 +5V
 +12V
 I2C DATA
 I2C CLK

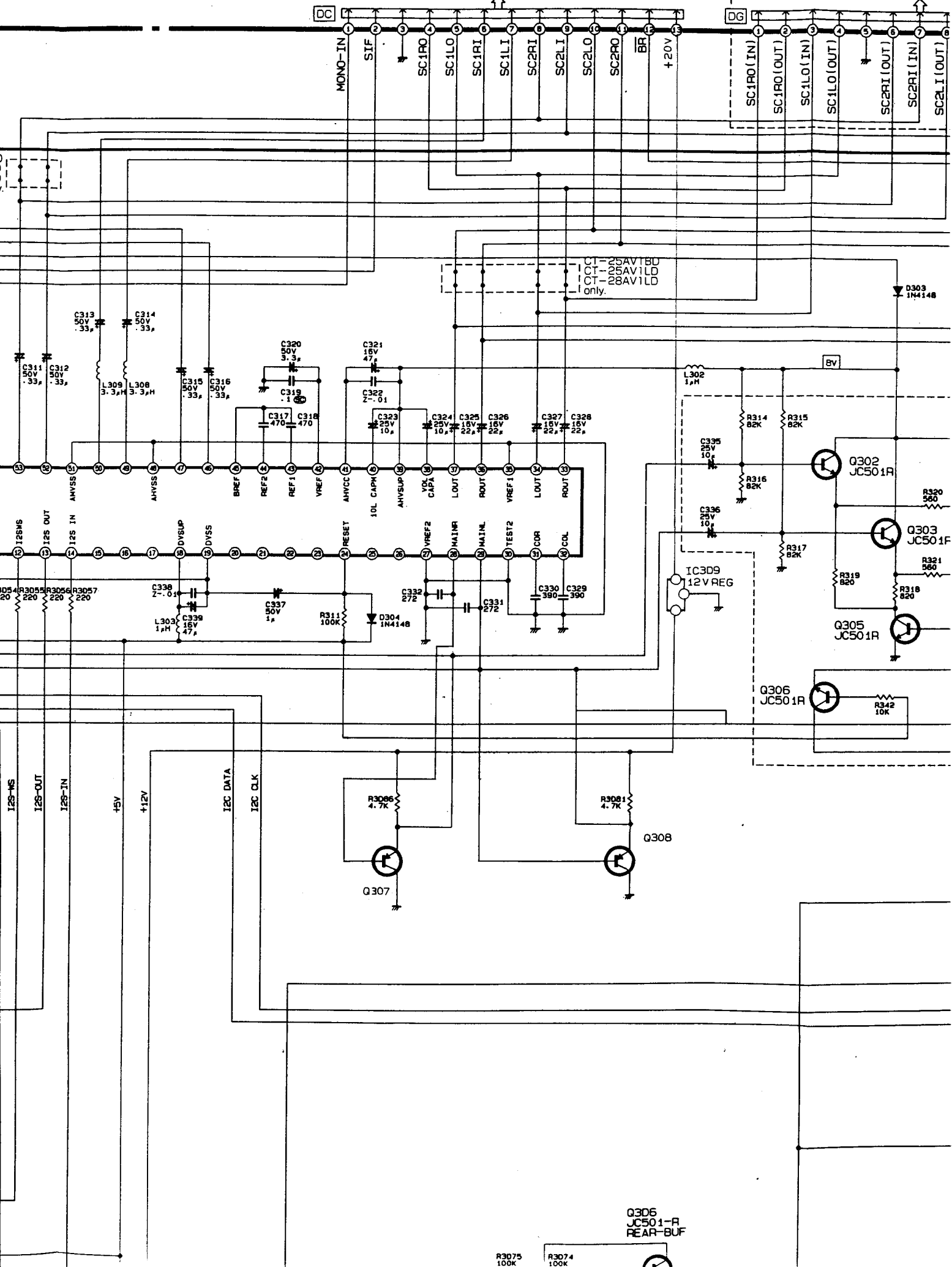
L303 4.7μH

L302 4.7μH

L301 4.7μH

PCB-MAIN DC

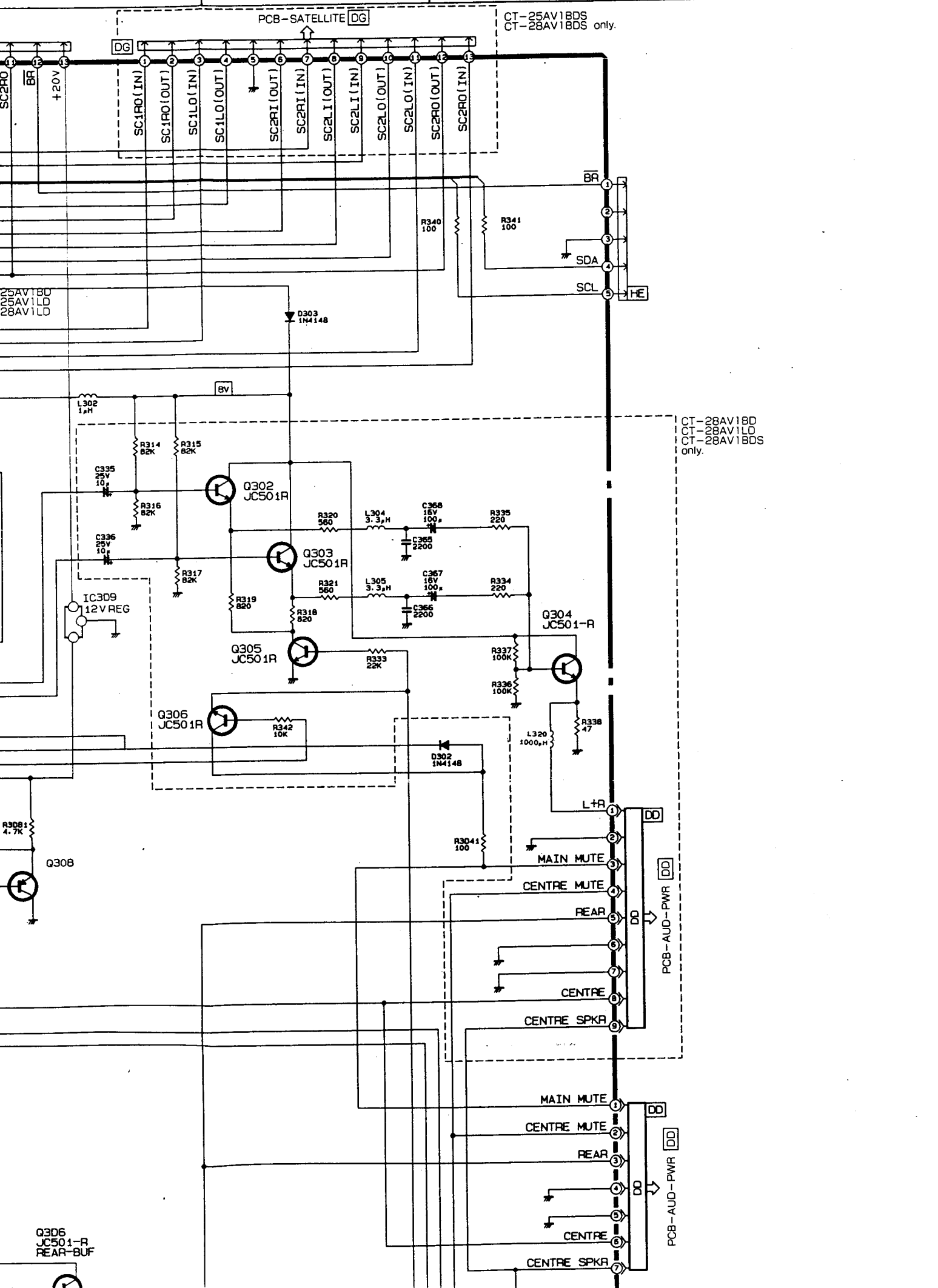
PCB-SATELLITE DG



Q306
JC501-R
REAR-BUF

R3075
100K

R3074
100K



PCB-SATELLITE DG

CT-25AV1BDS
CT-28AV1BDS only.

CT-28AV1BD
CT-28AV1LD
CT-28AV1BDS
only.

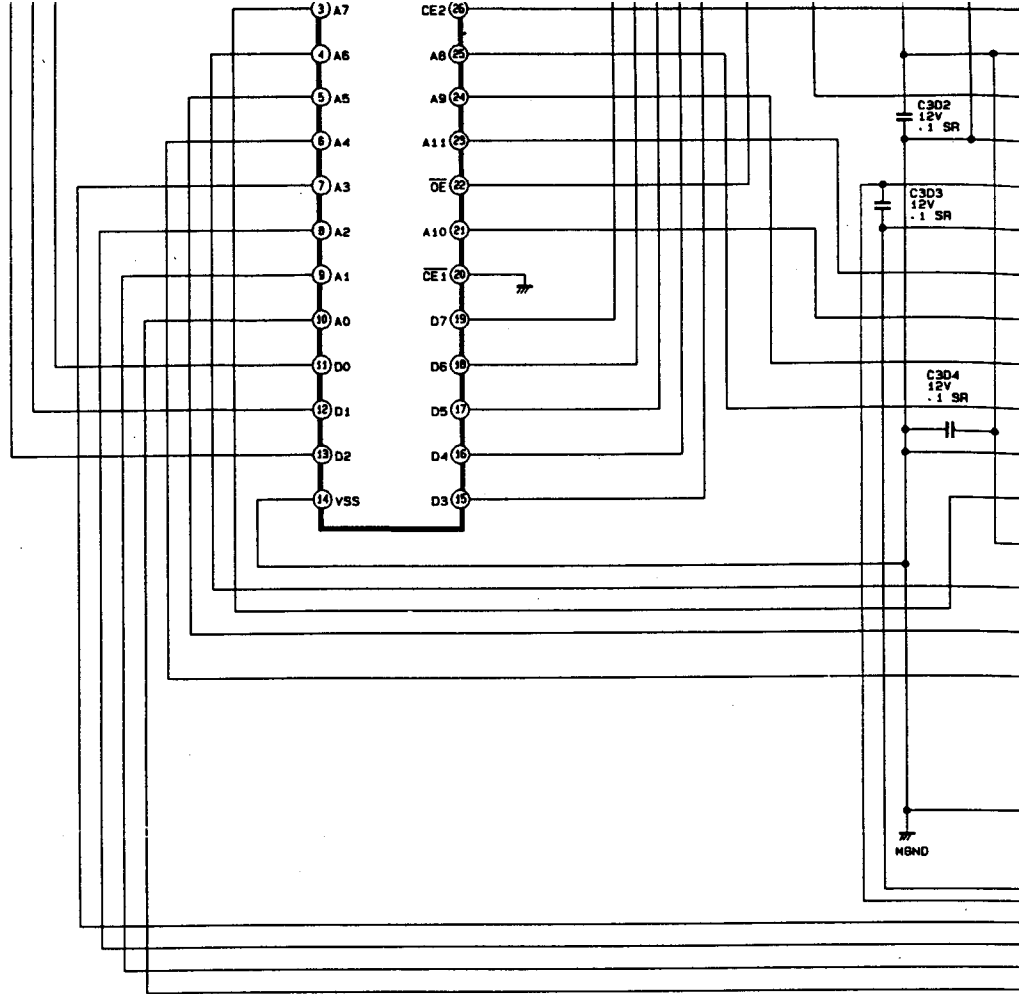
Q306
JC501-R
REAR-BUF

F

G

H

J



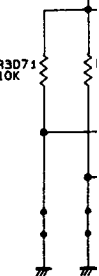
PB. 1 LOW = BASS LIFT DISABLED
 HIGH = BASS LIFT ENABLED

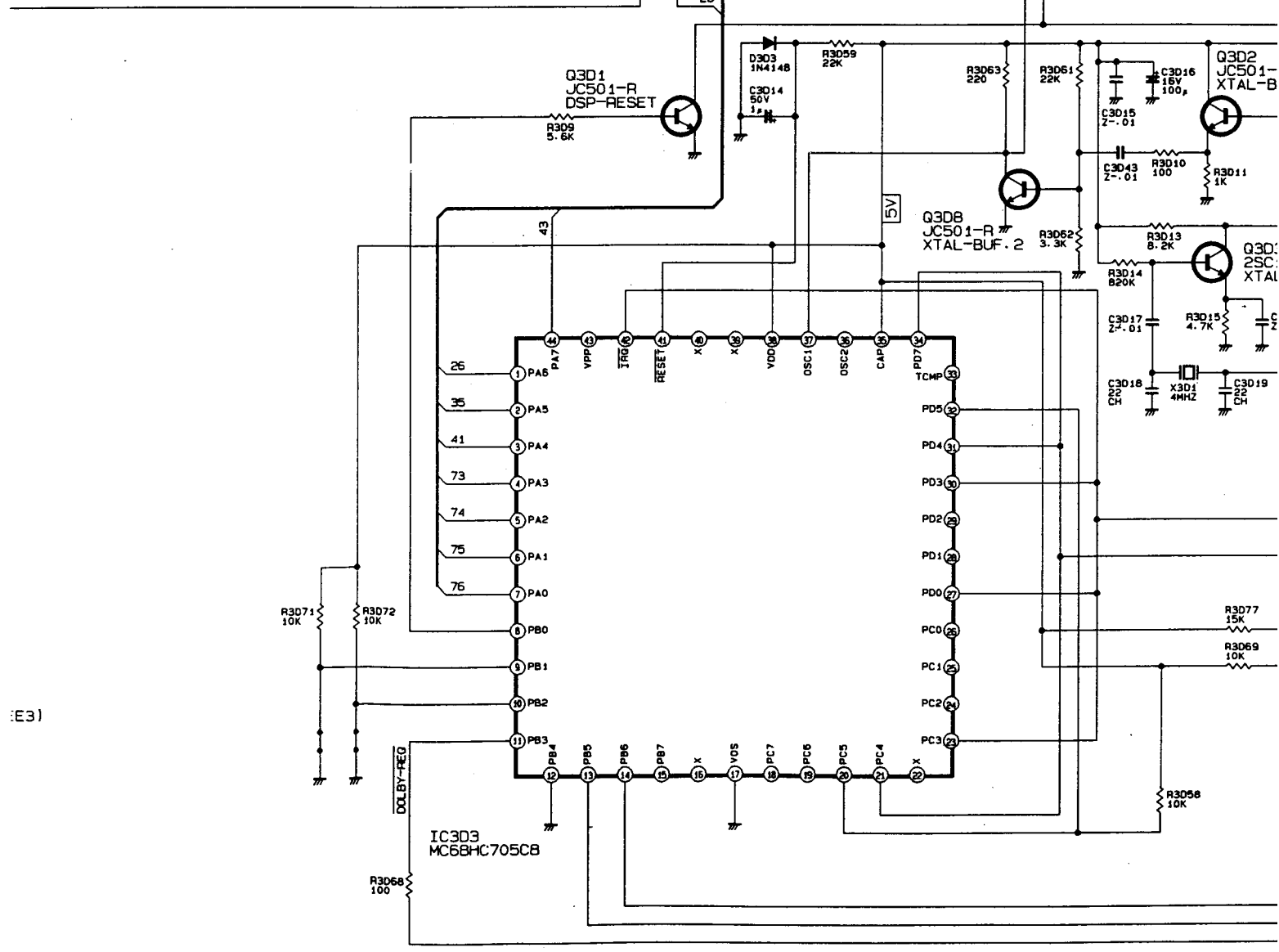
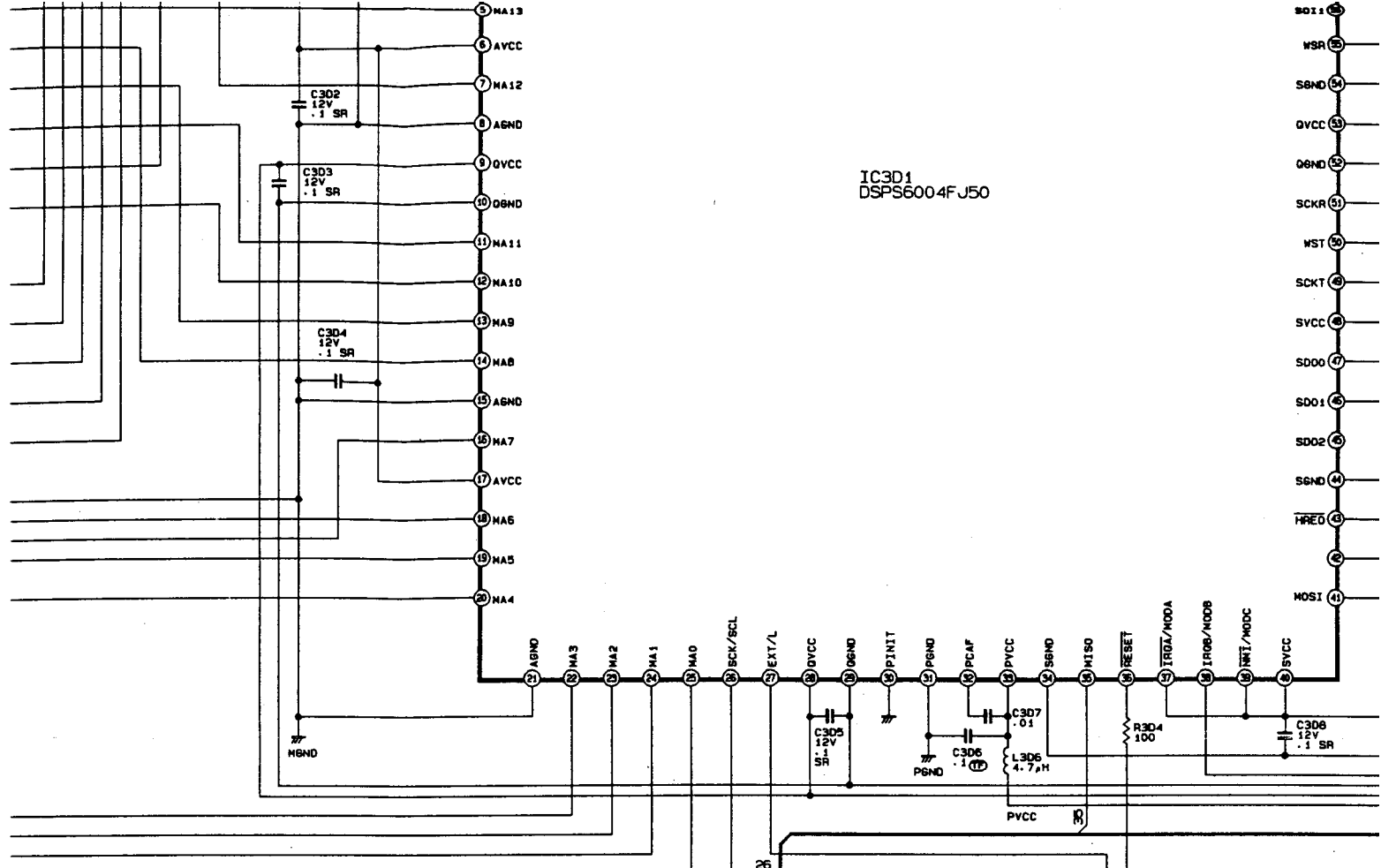
PB. 2 LOW = CO. EFF. 1 USED
 HIGH = CO. EFF. 2 USED

PB. 7 = DOLBY. 3 (NOT USED ON EE3)

PB. 6 = PHANTOM -OUTPUT

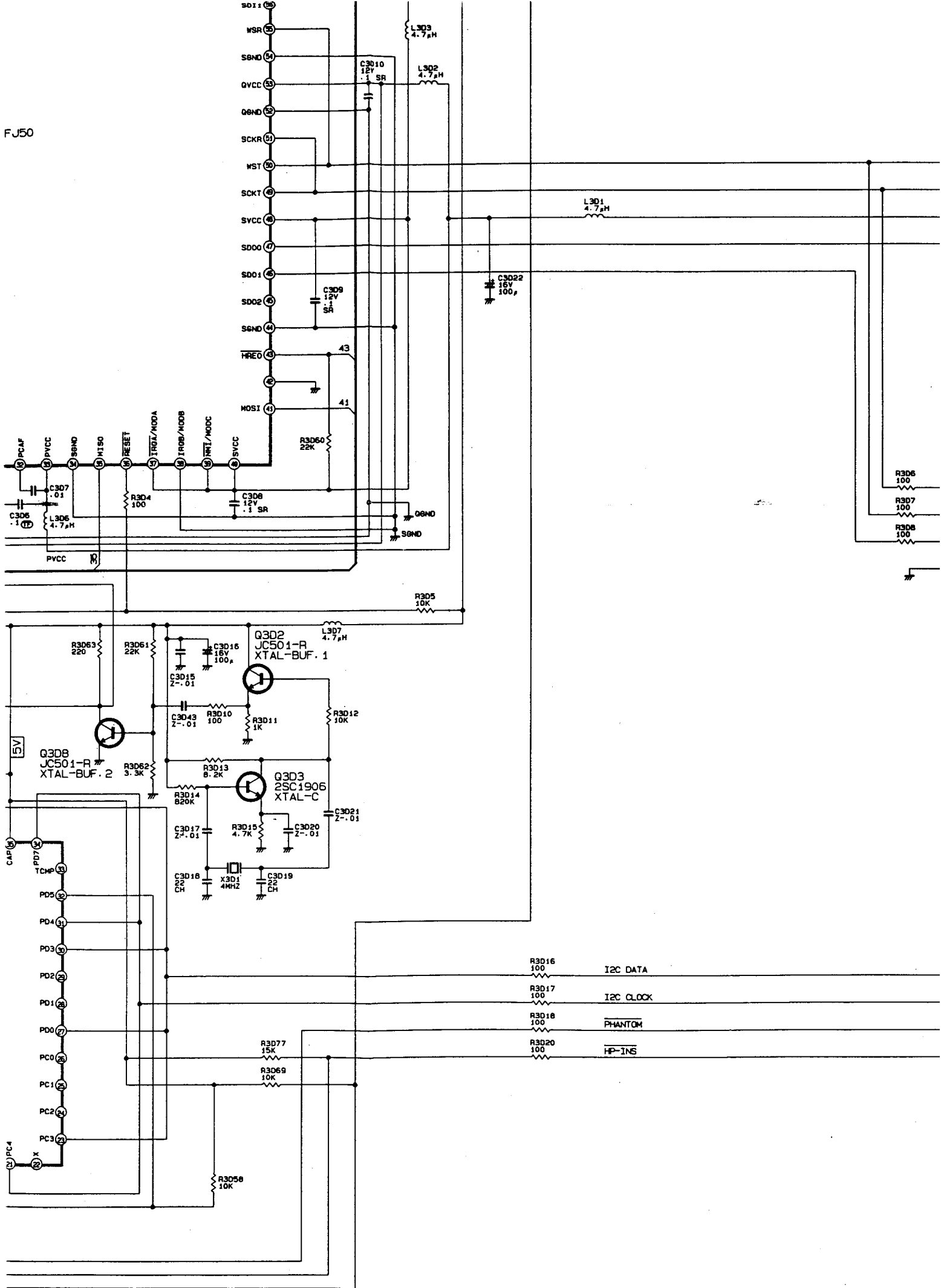
PB. 5 = H. P. INS -OUTPUT

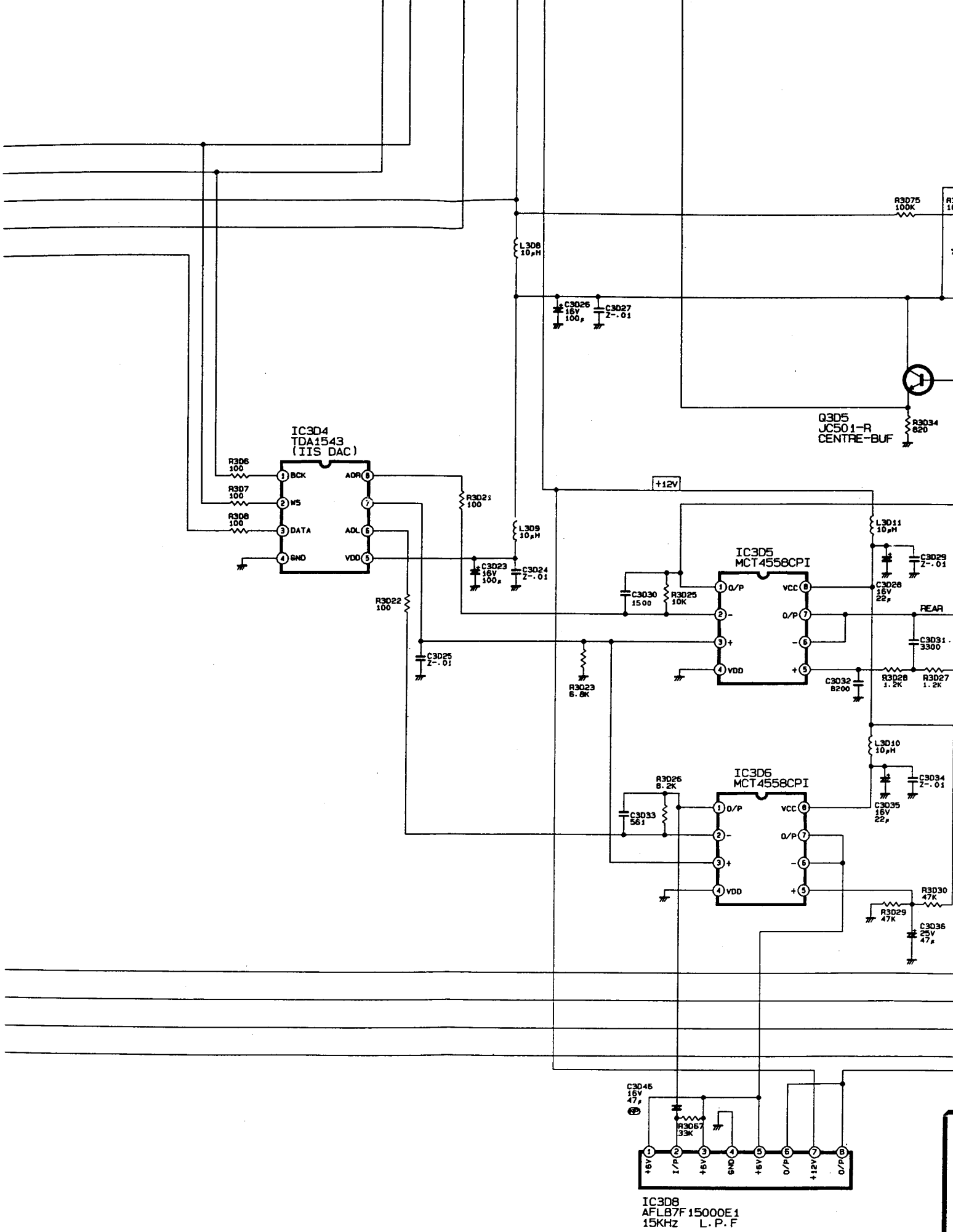




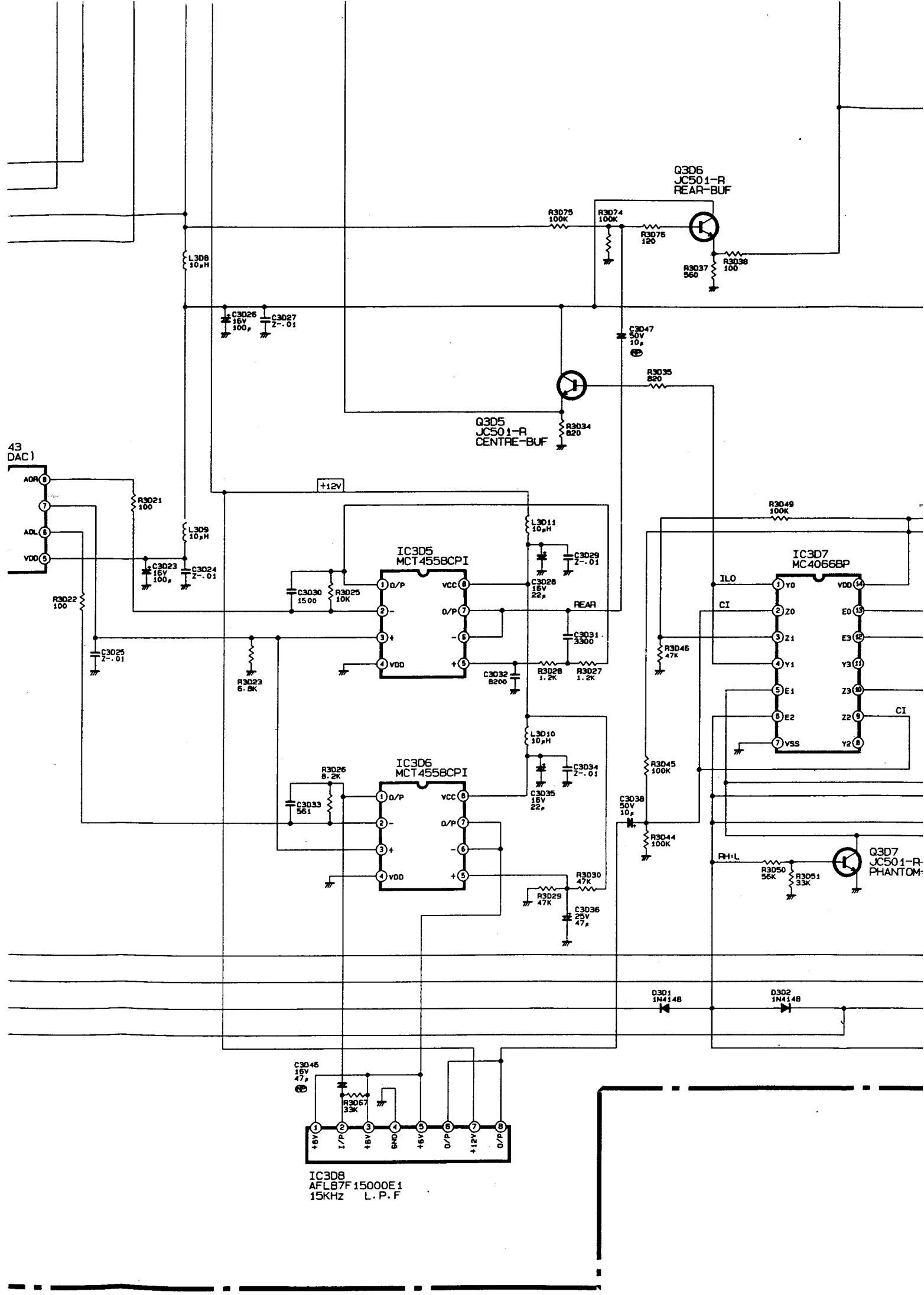
(E3)

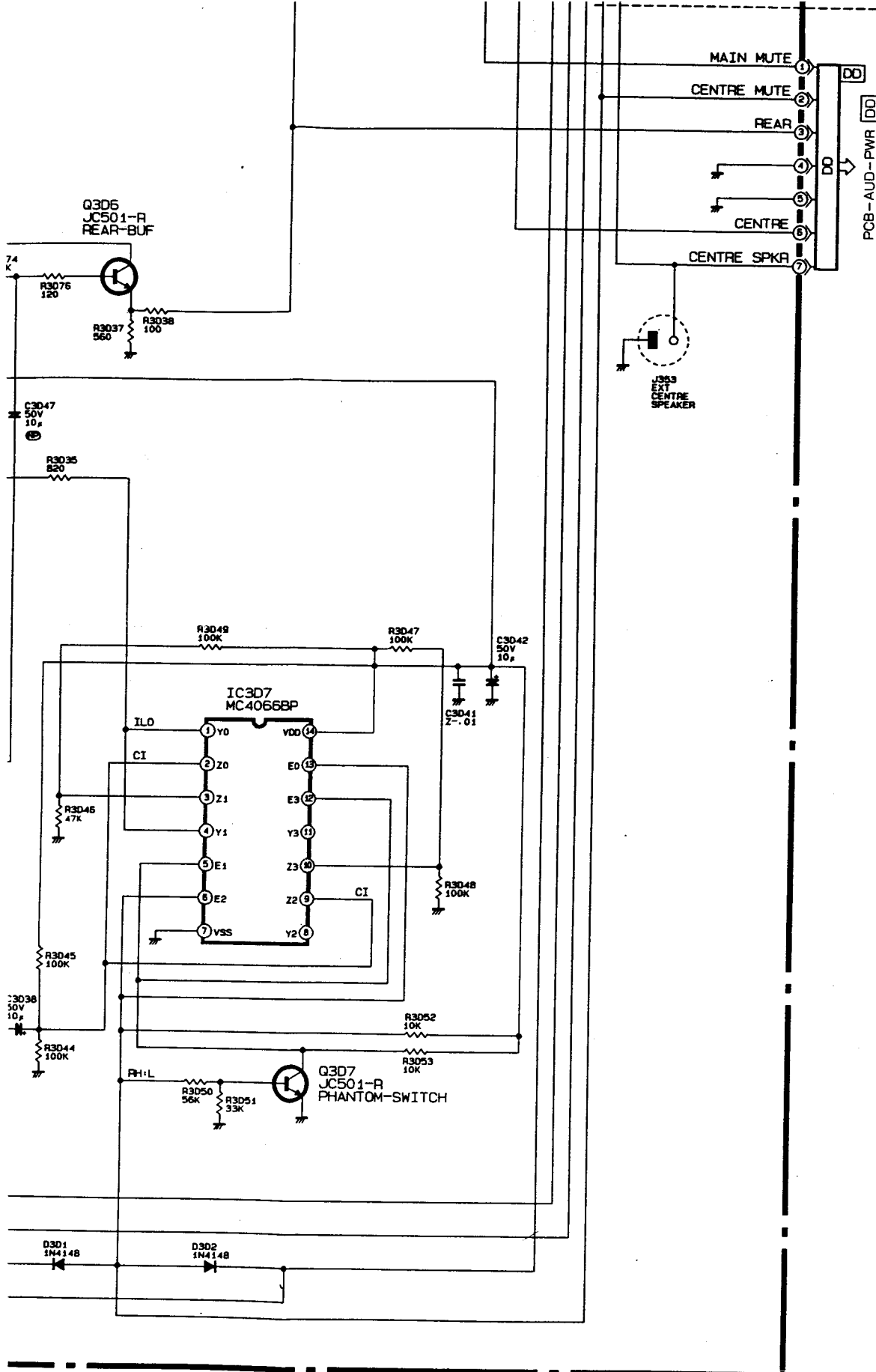
FJ50





IC308
AFLB7F 15000E1
15KHZ L.P.F





- CT-25AV1BD
- CT-25AV1LD
- CT-25AV1BDS
- CT-28AV1BD
- CT-28AV1LD
- CT-28AV1BDS

