

PCM

NIC01
TA8662N
QPSK

S Data
SCLK
STIM

IC101
TDA8341
VIF

IC503
TDA4565

SAW FILTER

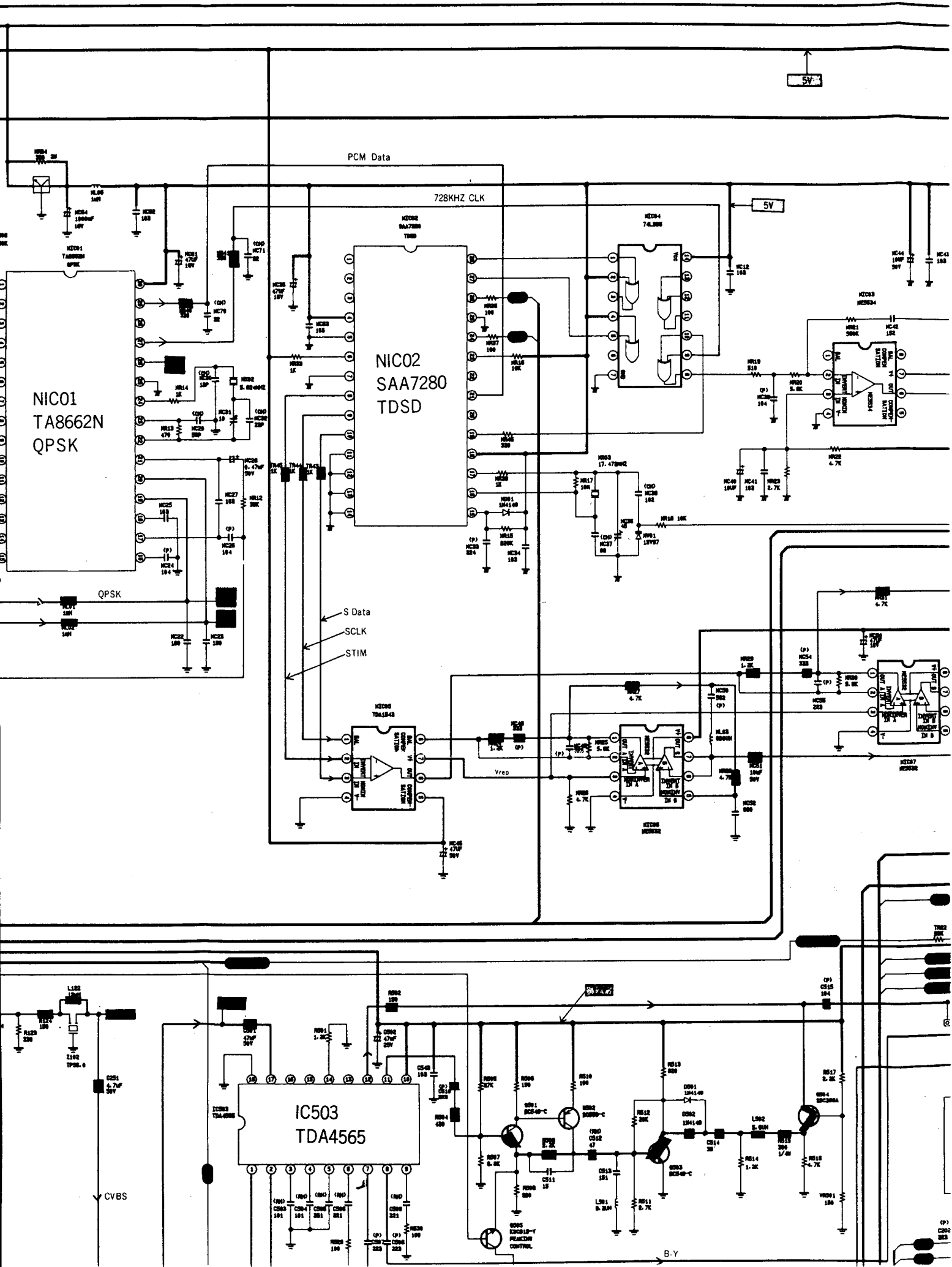
SOUND
Carrier

QPSK

CVBS

T201
TA8601

IC102
TA8607



5V

PCM Data

728KHZ CLK

5V

NIC01
TA8662N
QPSK

NIC02
SAA7280
TDS

S Data
SCLK
STIM

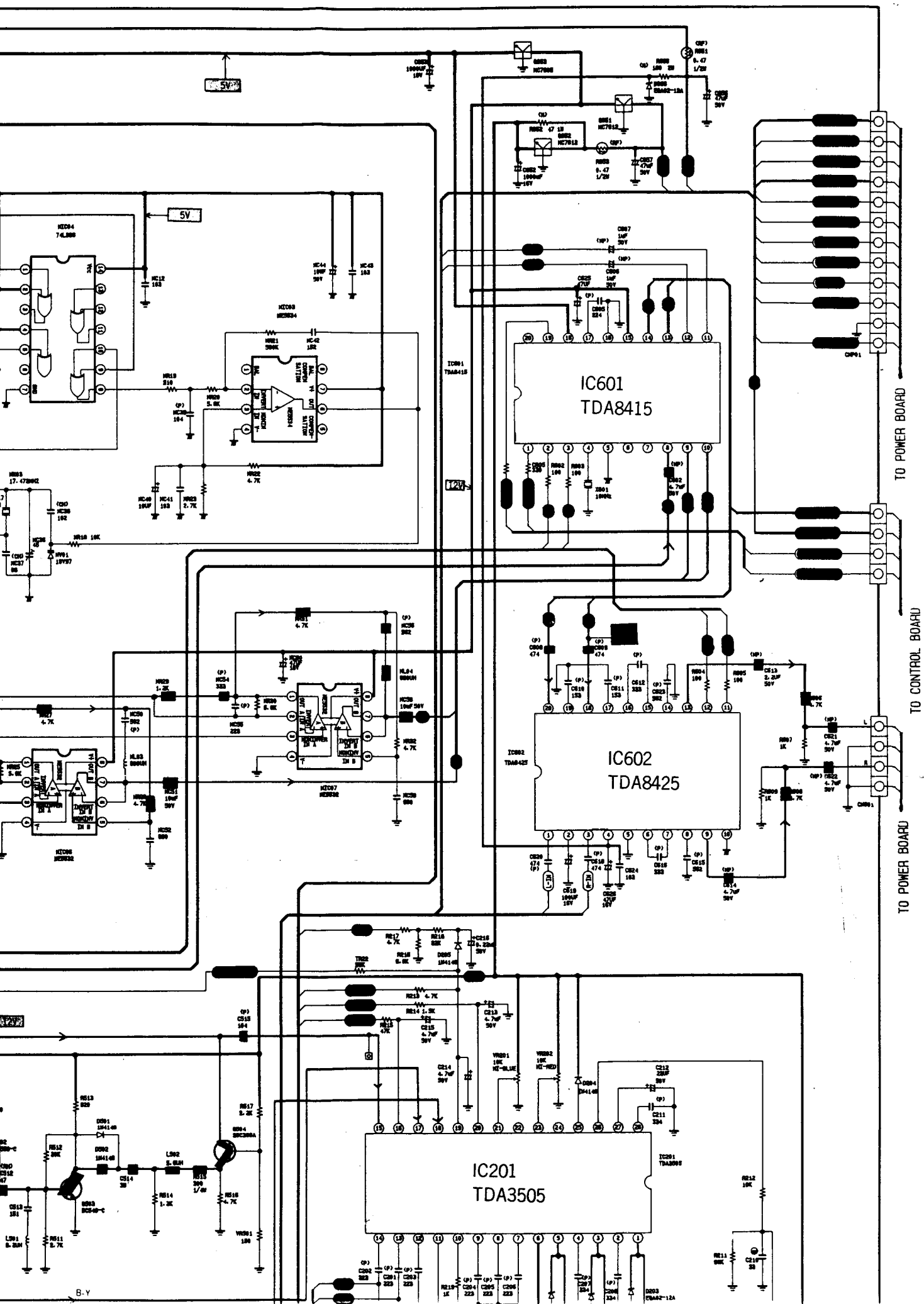
NIC03
TDA1843

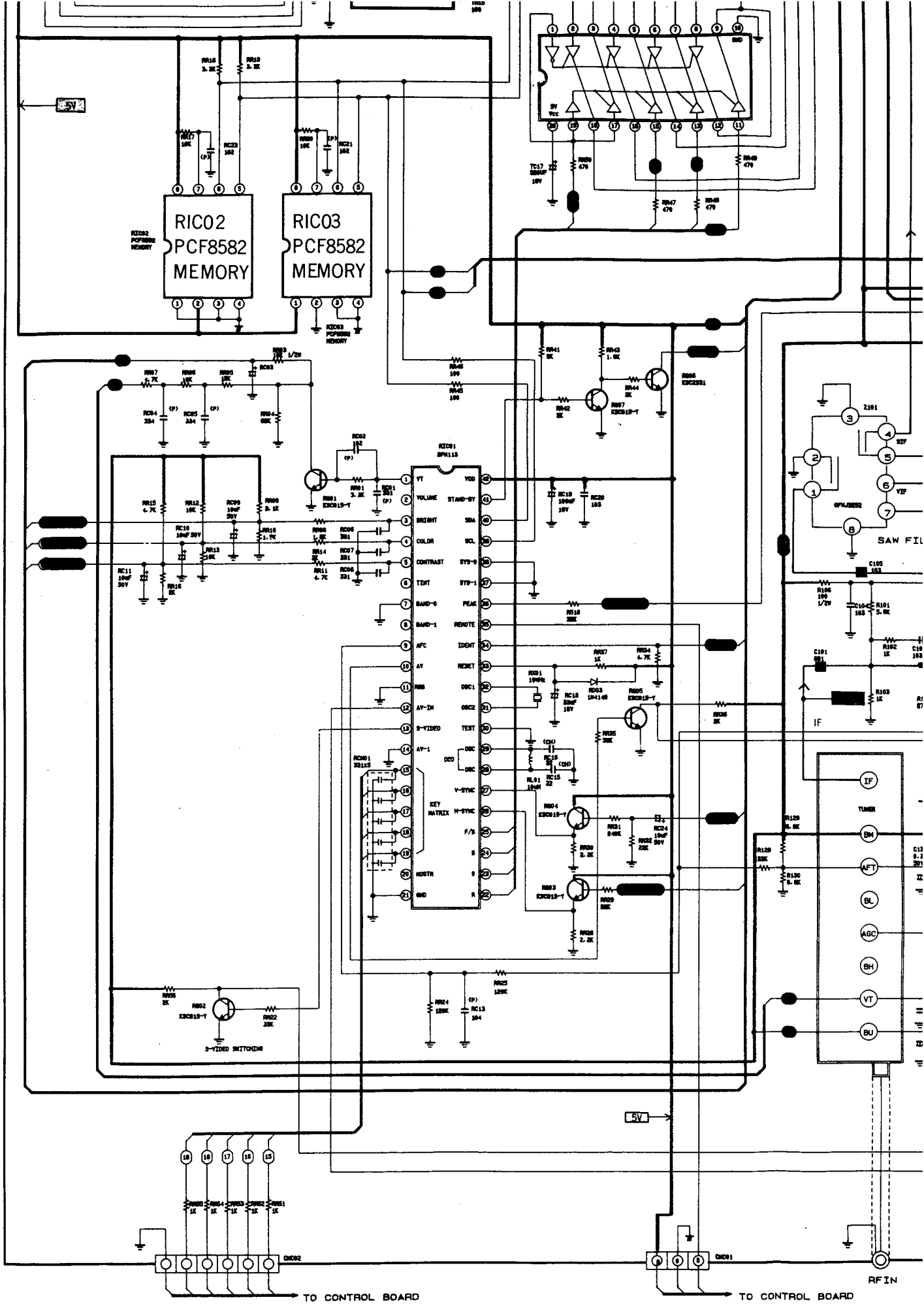
Vrep

IC503
TDA4565

CVBS

B-Y

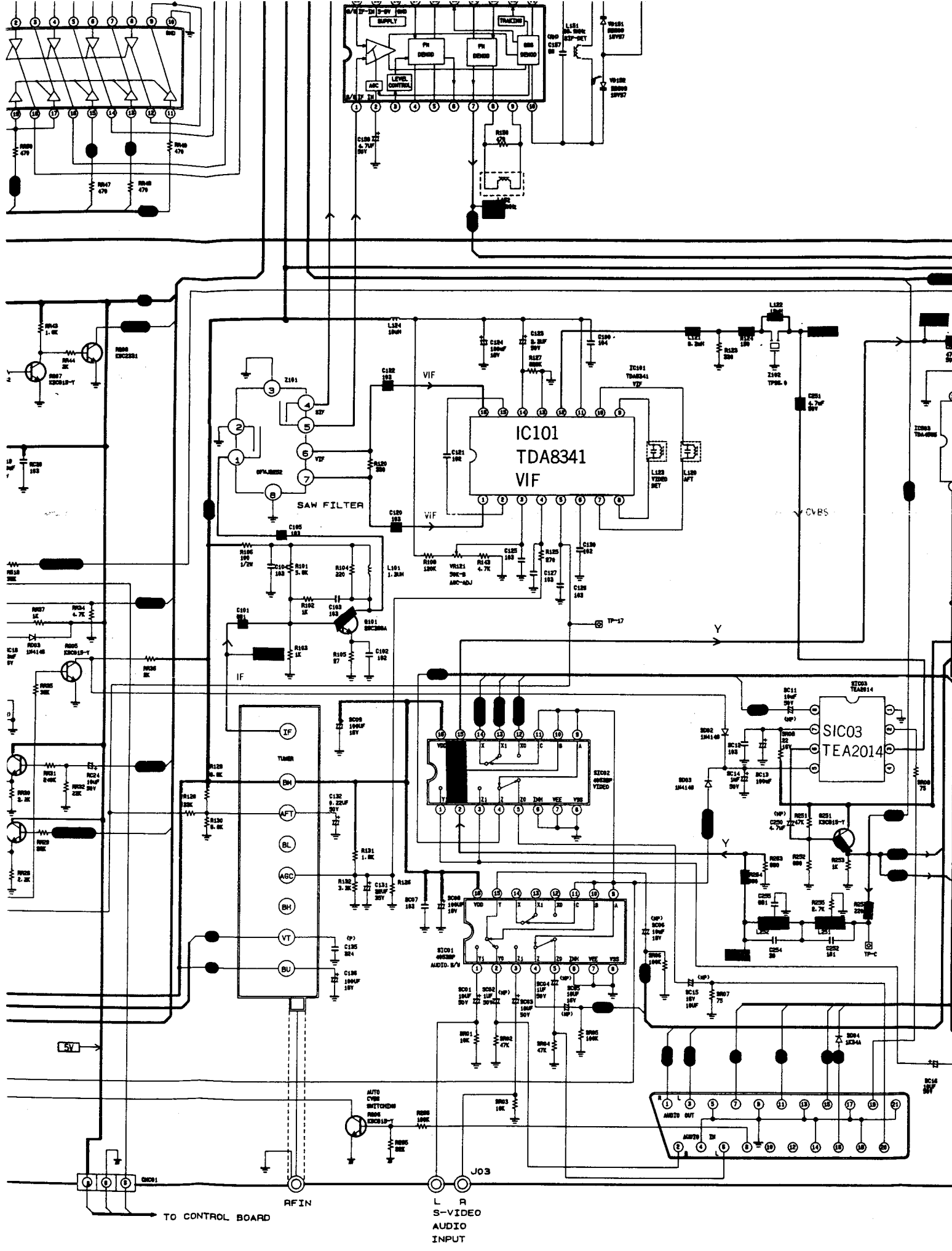


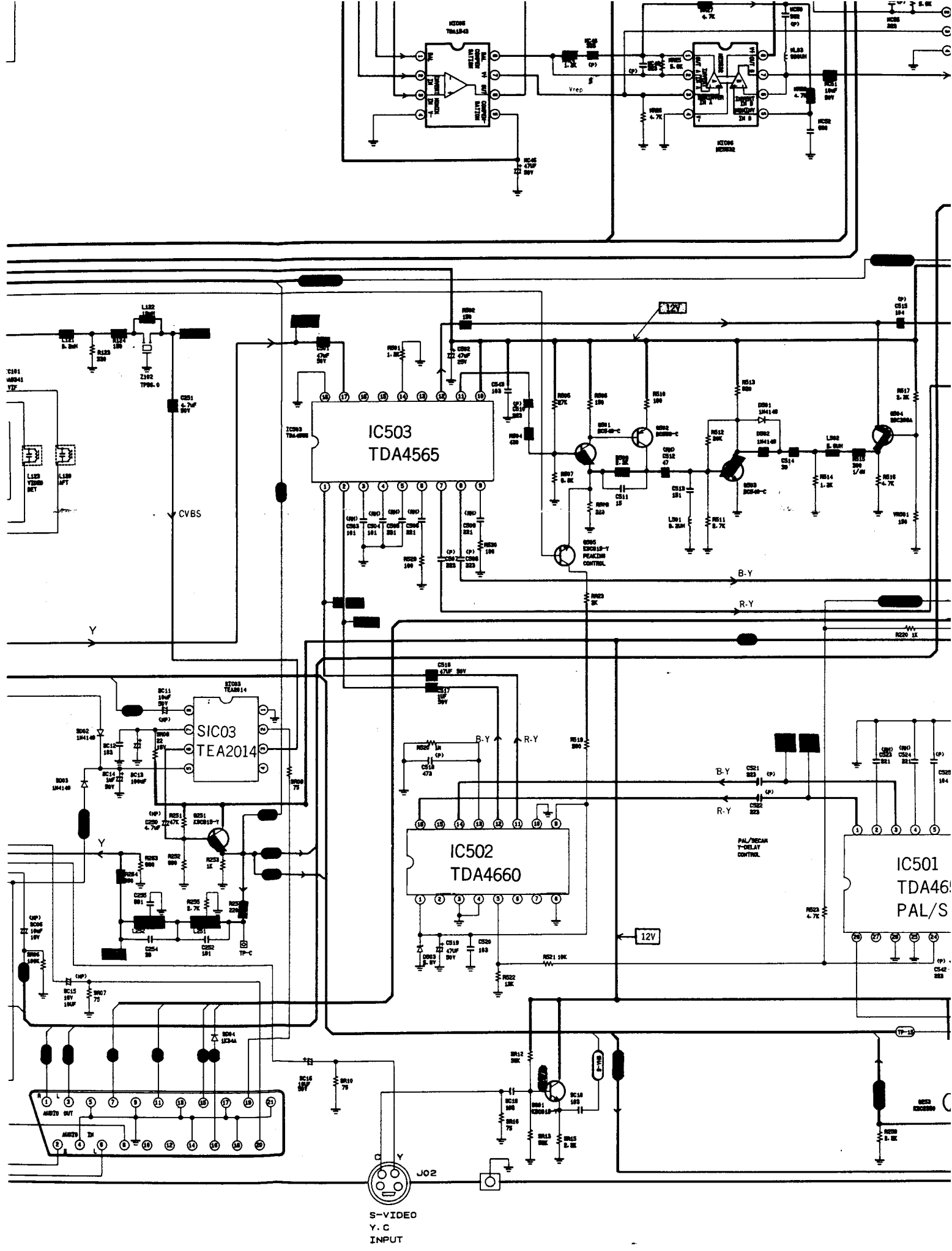


TO CONTROL BOARD

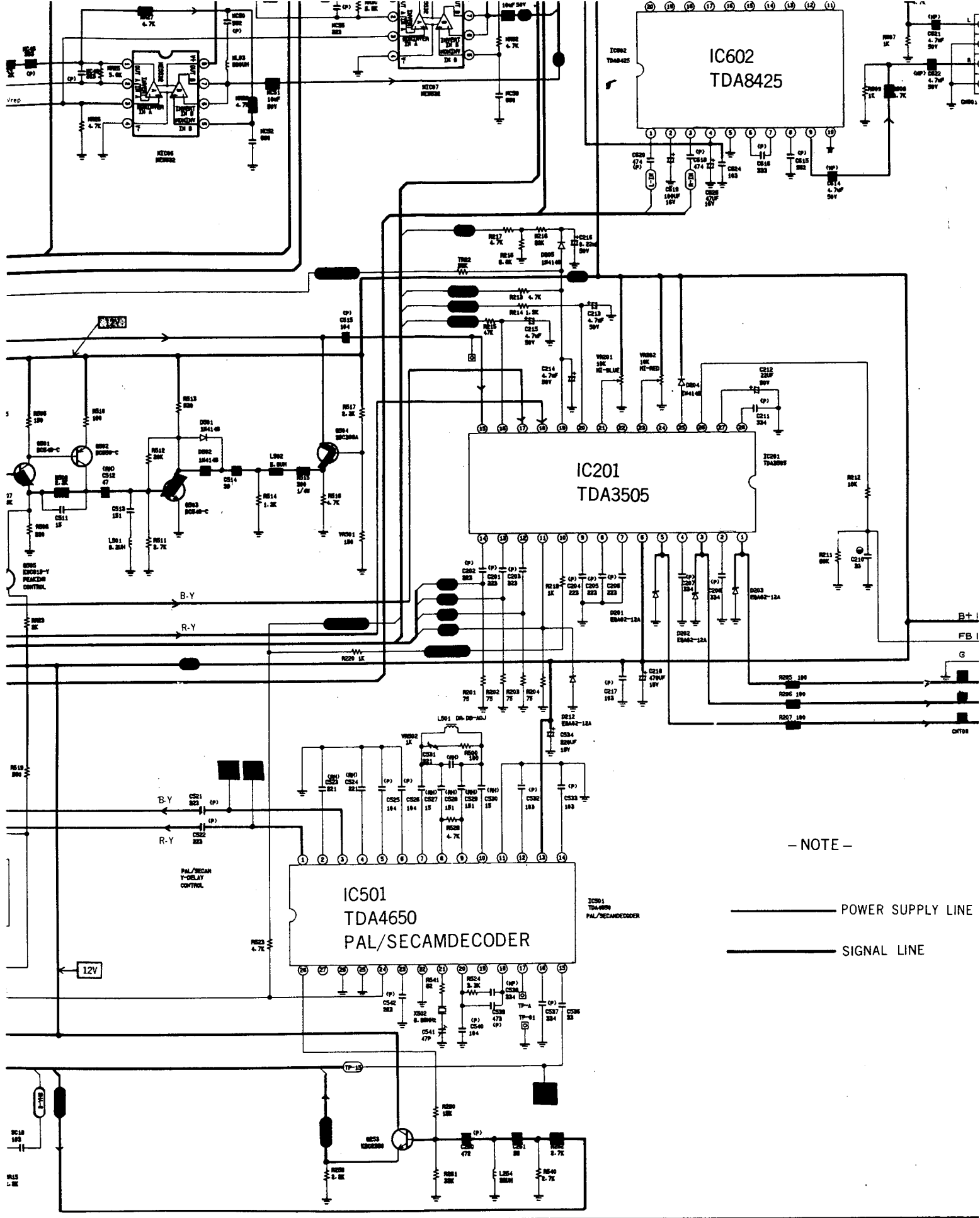
TO CONTROL BOARD

RF IN



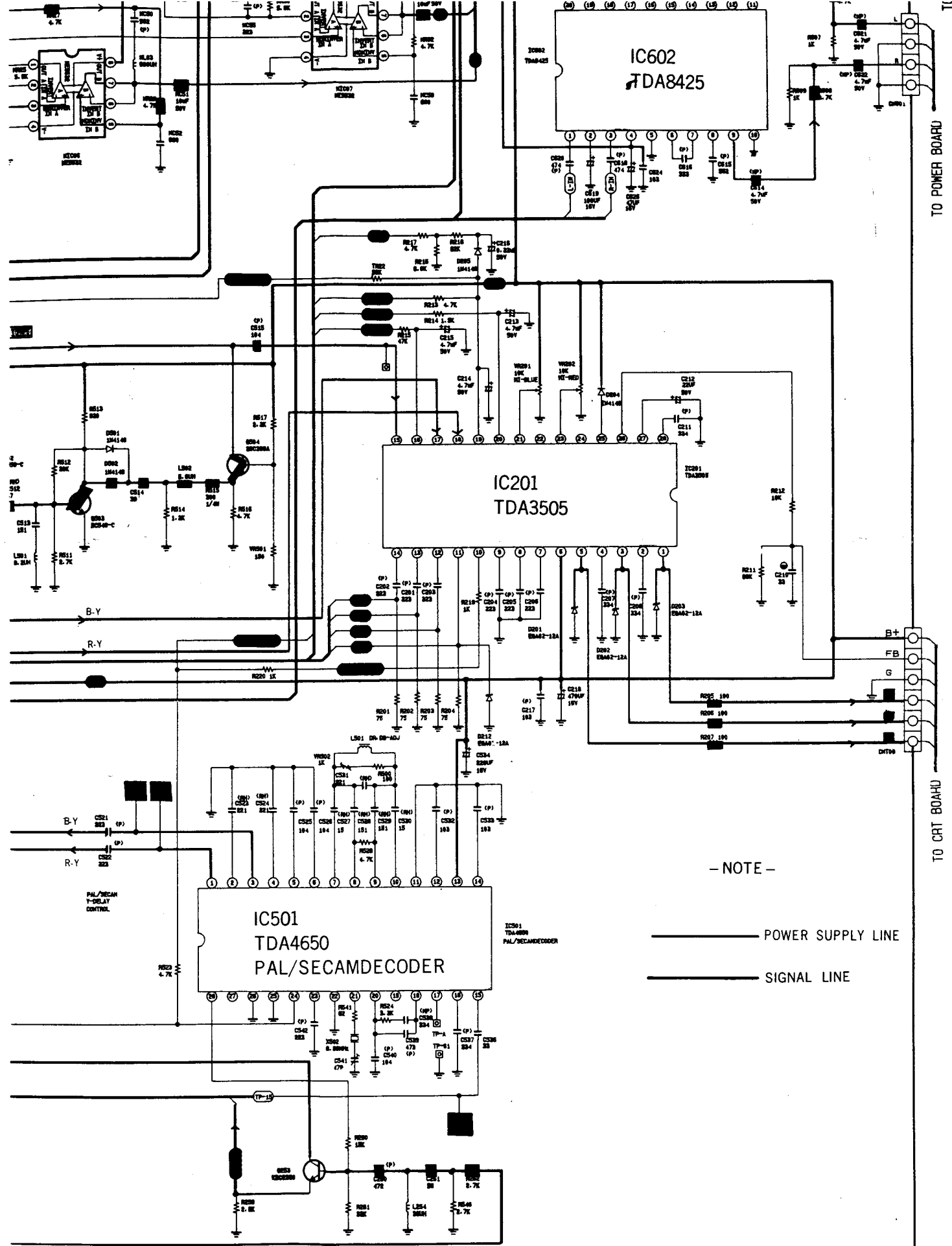


J02
 S-VIDEO
 Y. C.
 INPUT



- NOTE -

————— POWER SUPPLY LINE
 - - - - - SIGNAL LINE

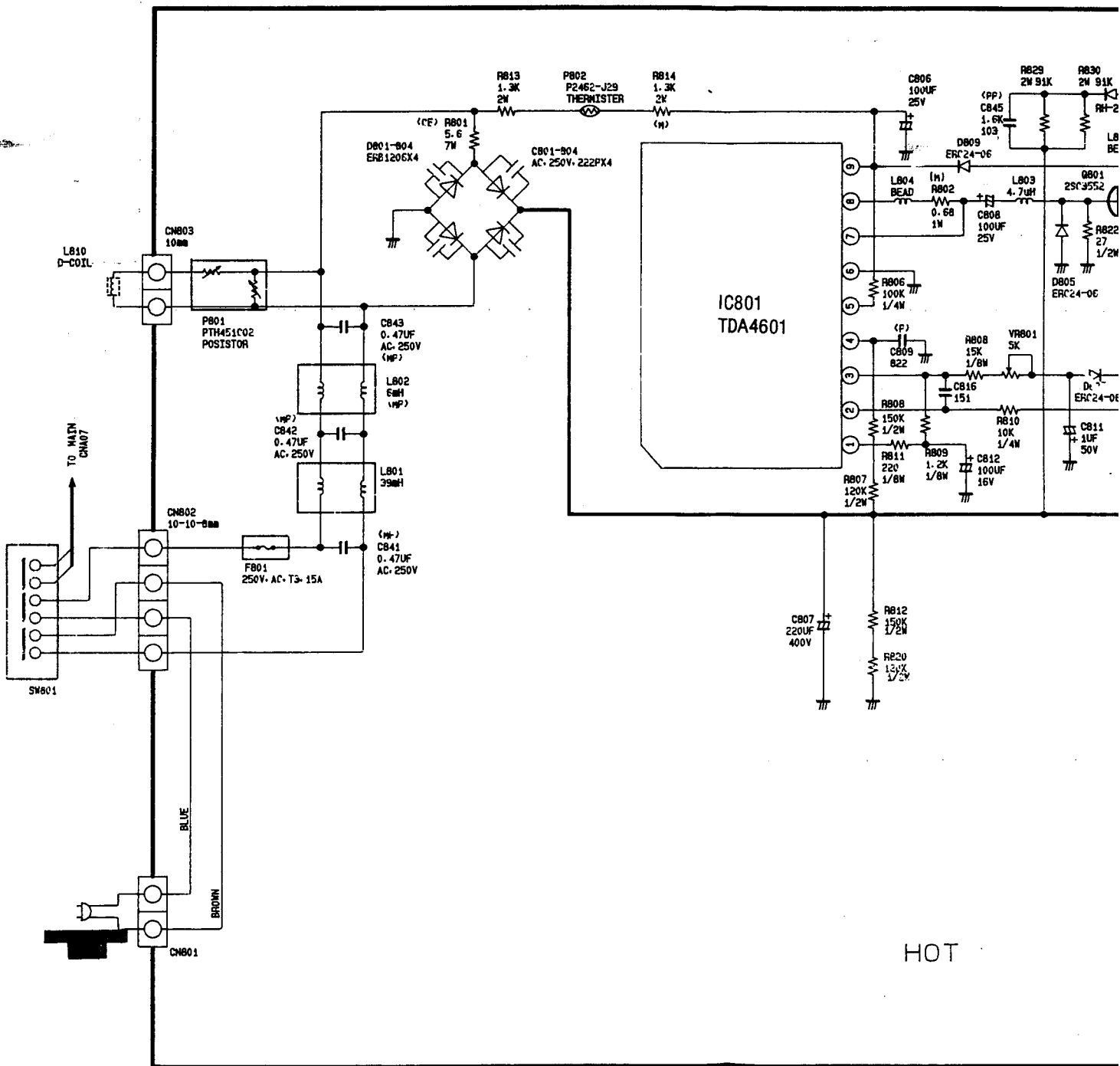
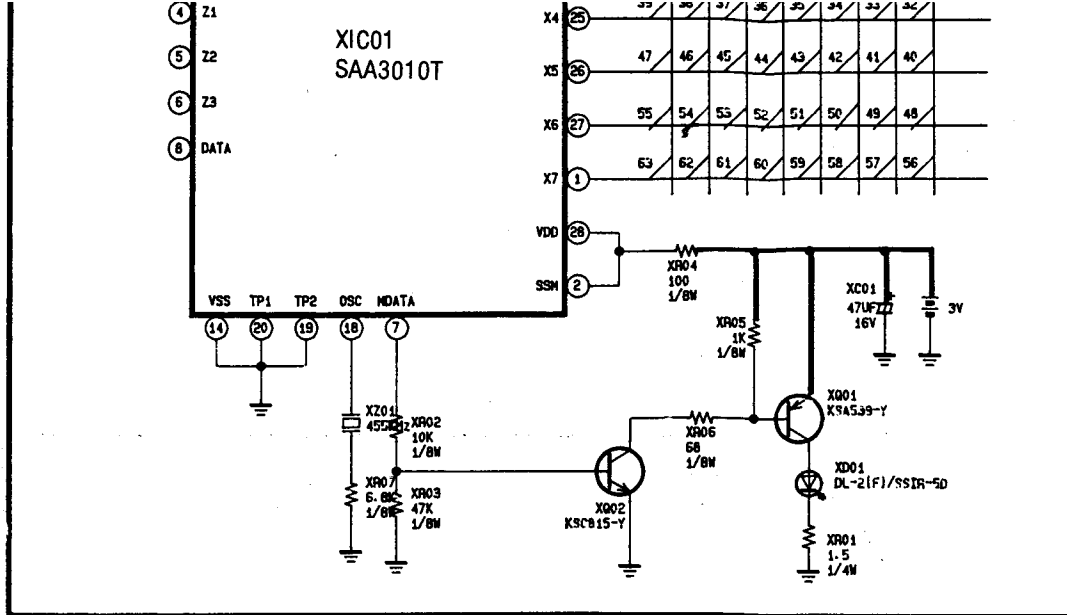


TO POWER BOARD

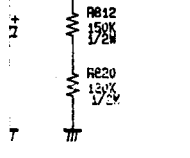
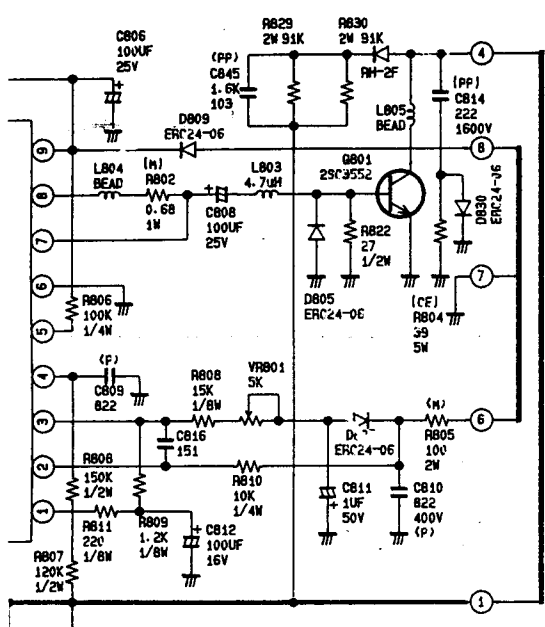
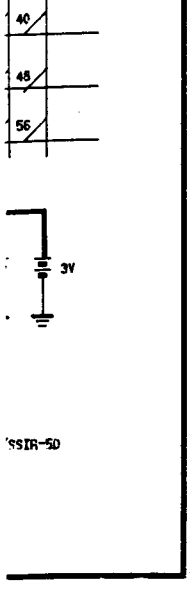
TO CRT BOARD

- NOTE -

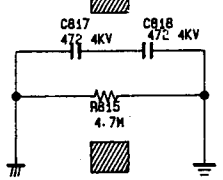
- POWER SUPPLY LINE
- - - - SIGNAL LINE



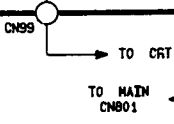
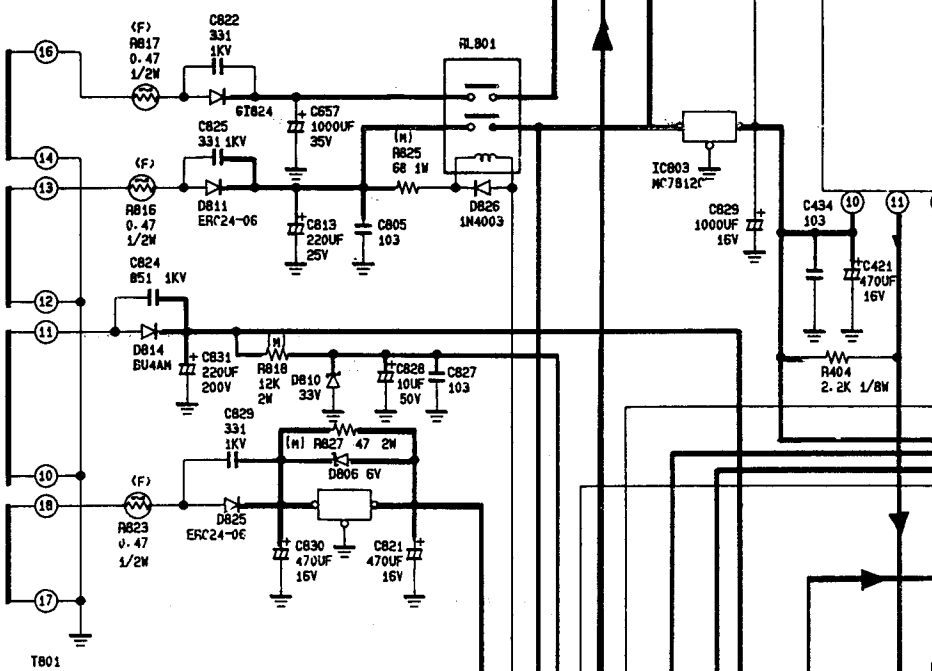
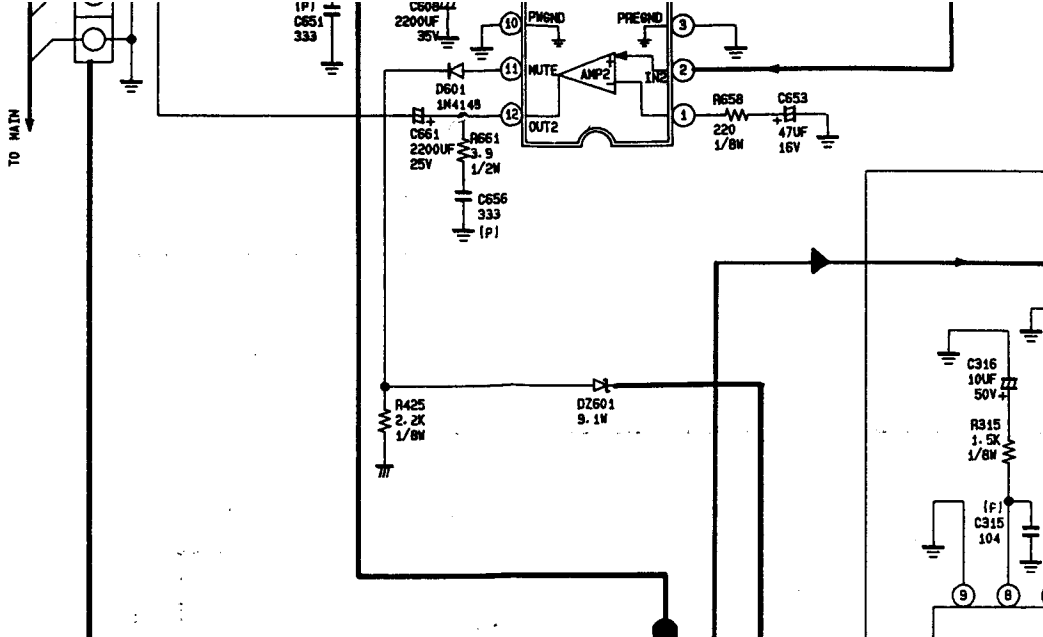
HOT



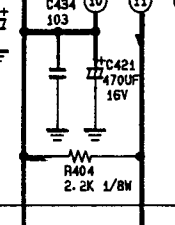
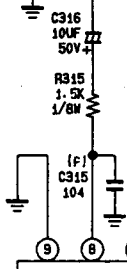
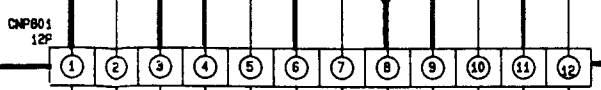
HOT

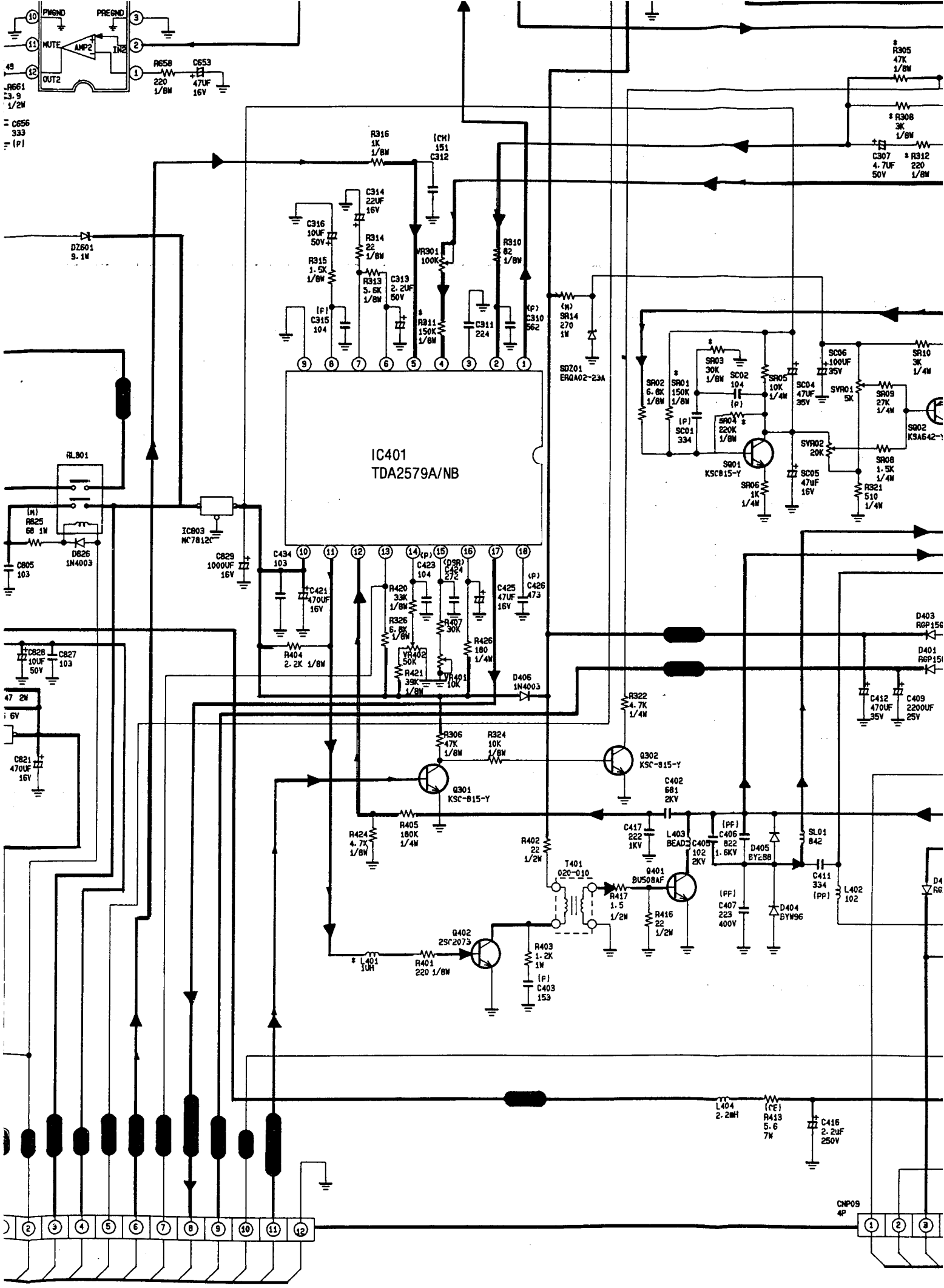


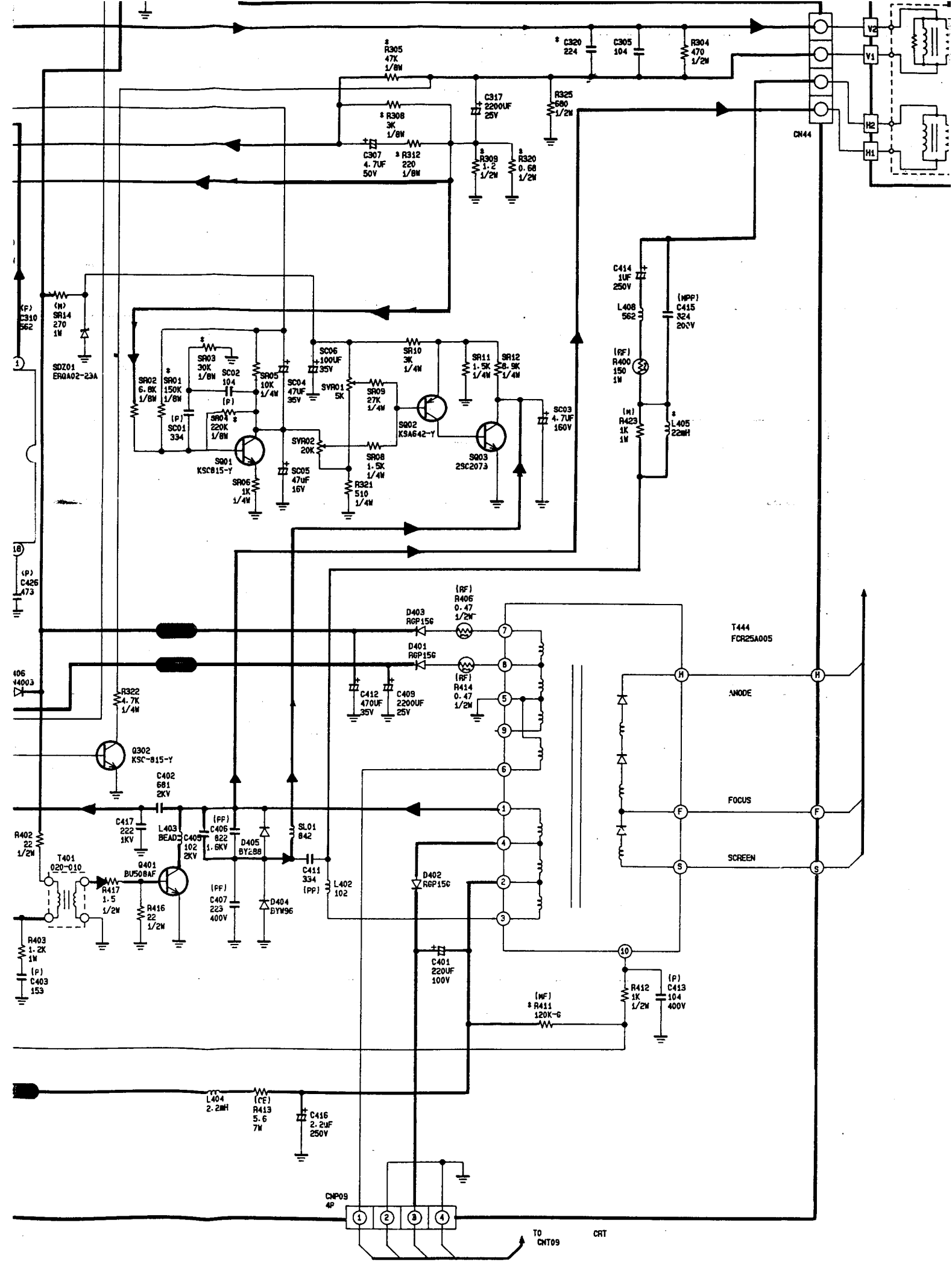
COLD

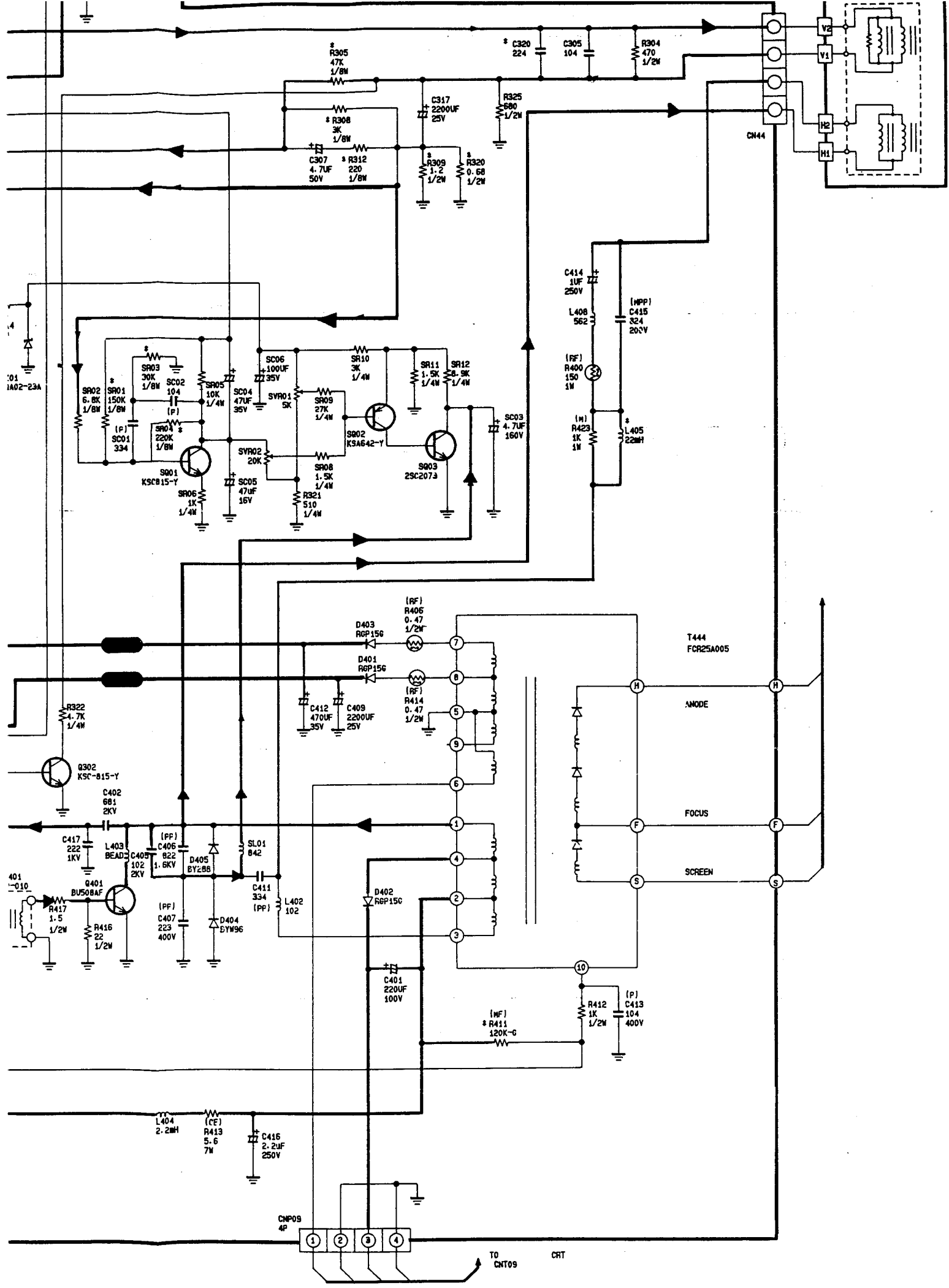


TO MAIN
CN801

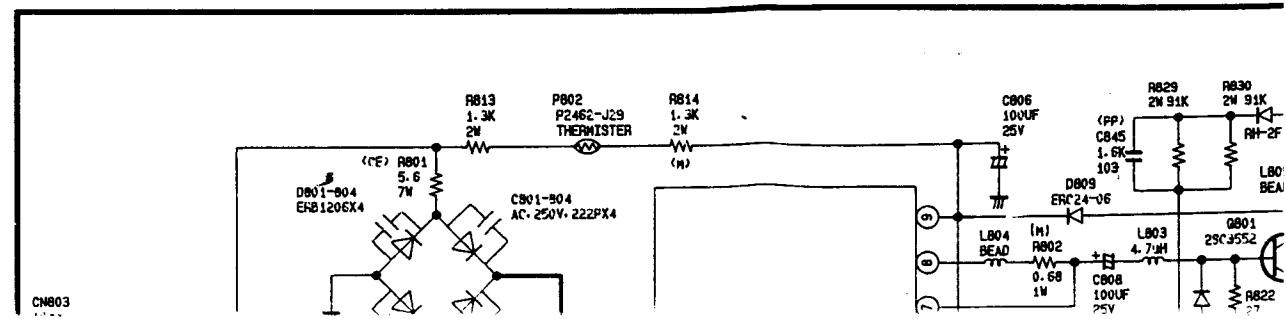
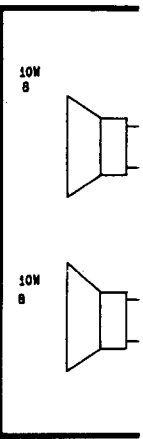
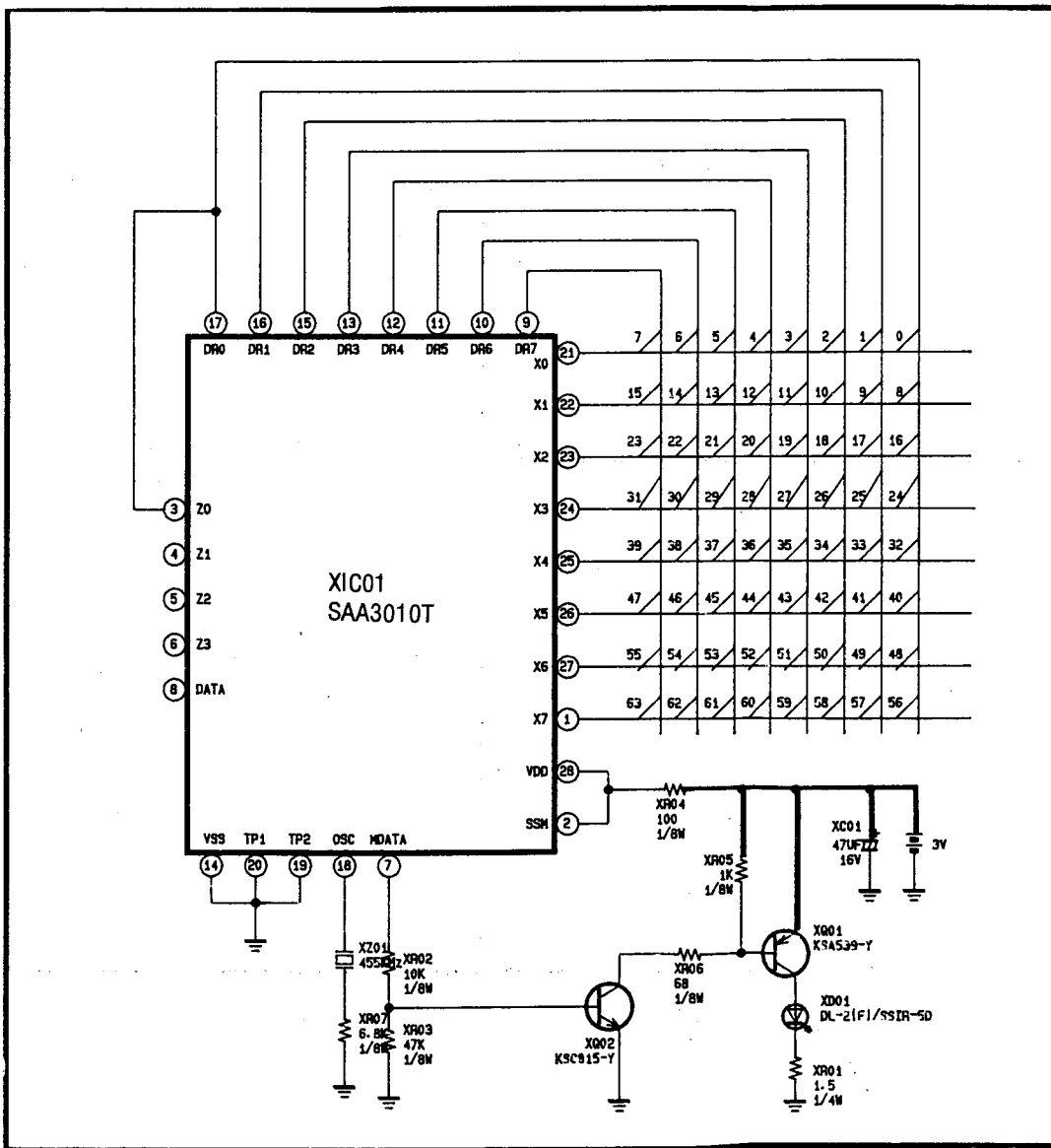








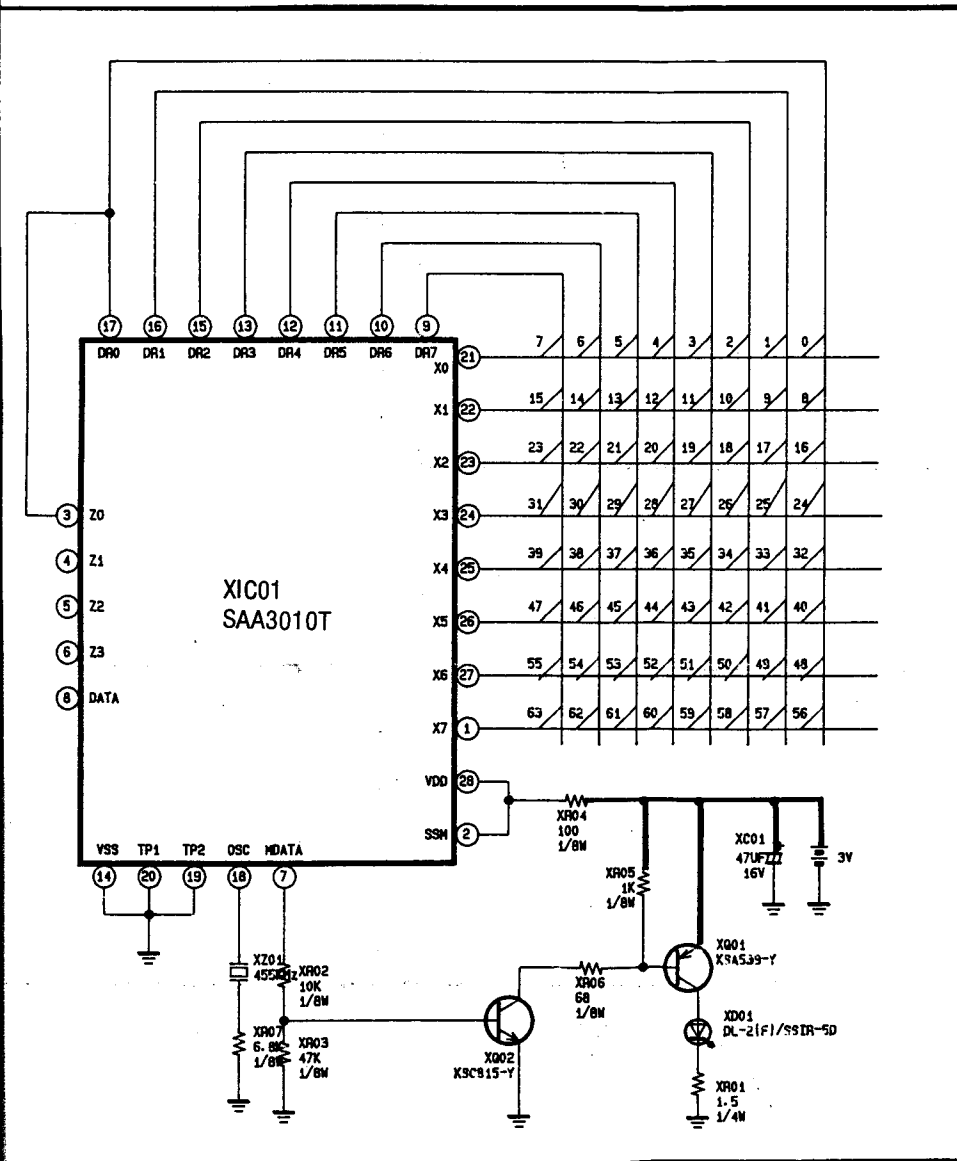
PWB-TRANSMITTER



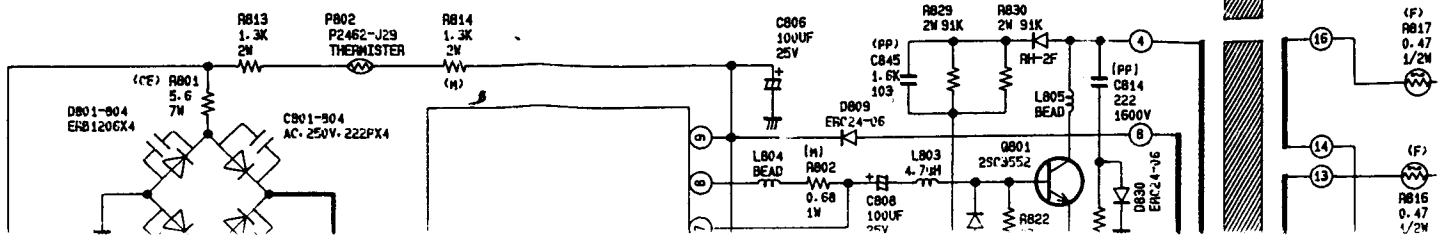
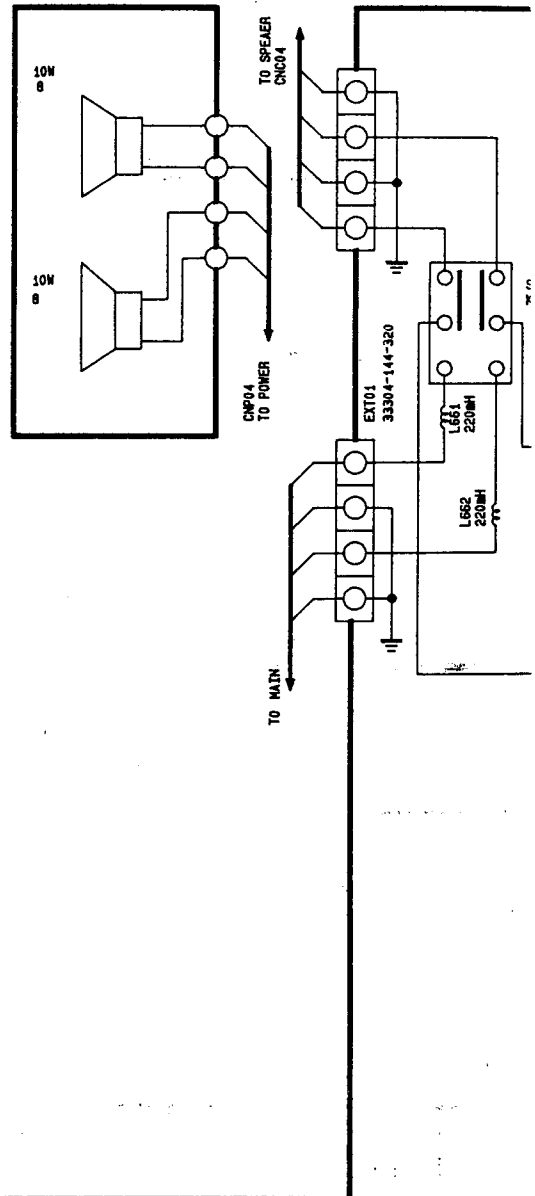
* MARK OPTION

LOCATION	TOSHIBA CRT	PHILIPS
R302	1/2W 330	1/2W 560
R305	1/8W 47K	1/8W 43K
R308	1/8W 3K	1/8W 3.6
R312	JUMPER	1/8W 220
R309	1/2W 2	1/2W 1
R320	1/2W 0.68	1/2W 1
R321	1/4W 510	1/4W 1K
R411	1/2W 110K-F	1/2W 120I
L405	62mH	22mH
R311	130K	150K

TRANSMITTER

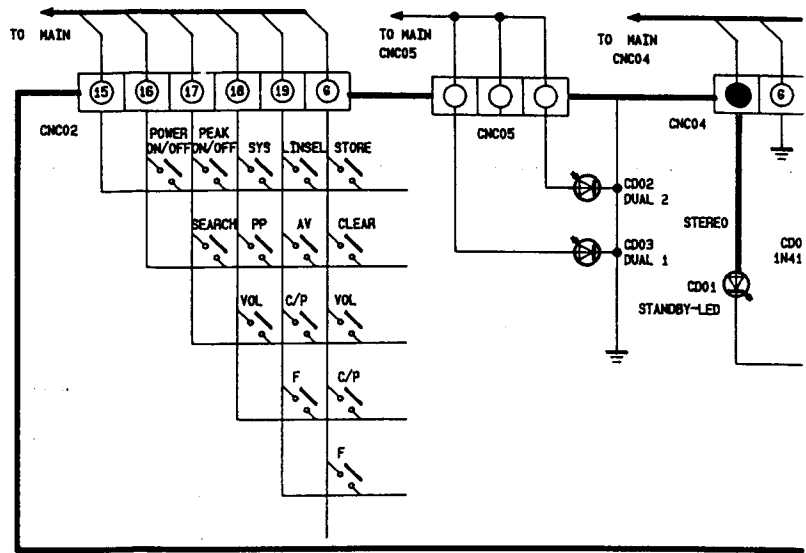


PWB-DEFLE

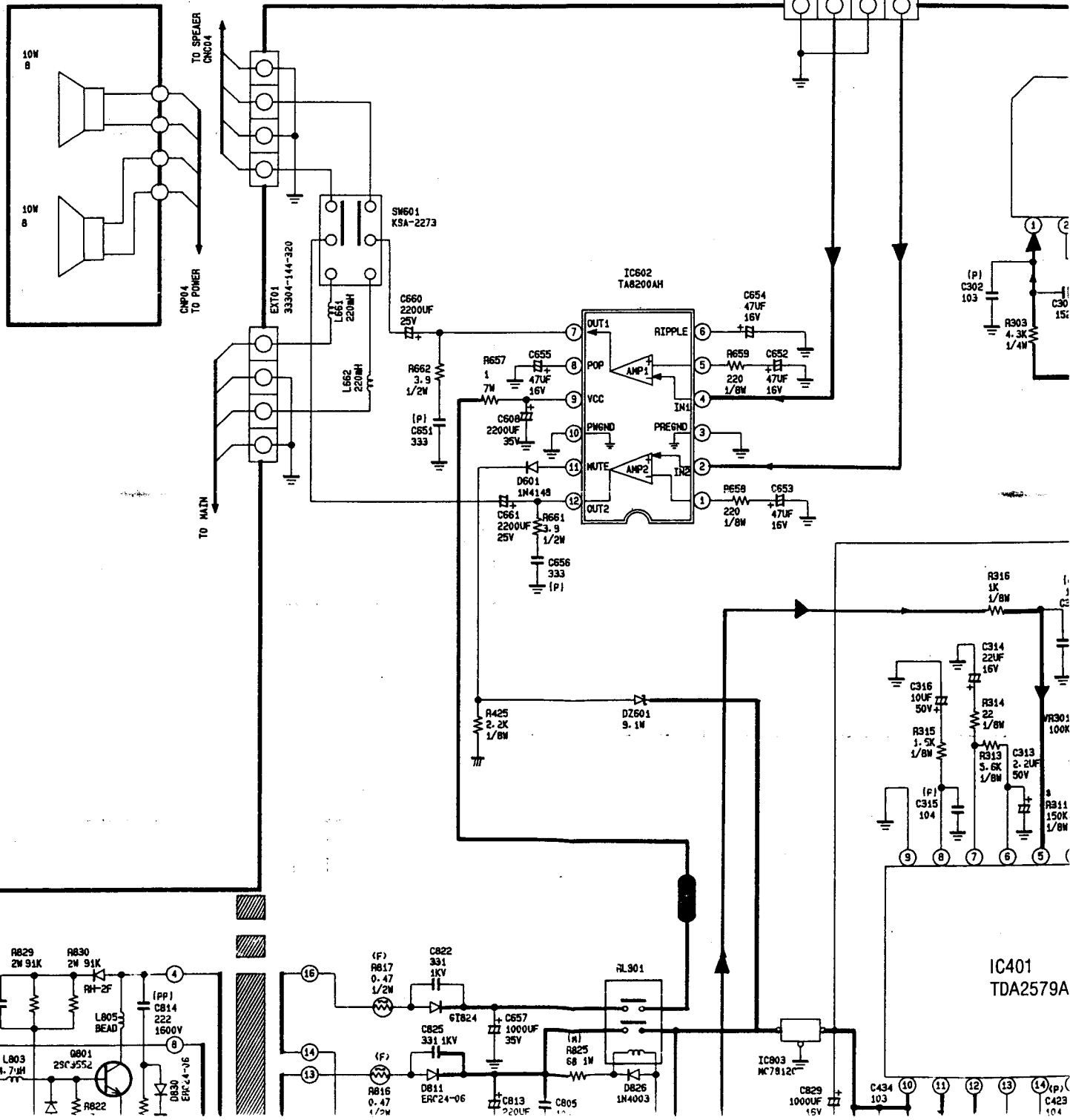


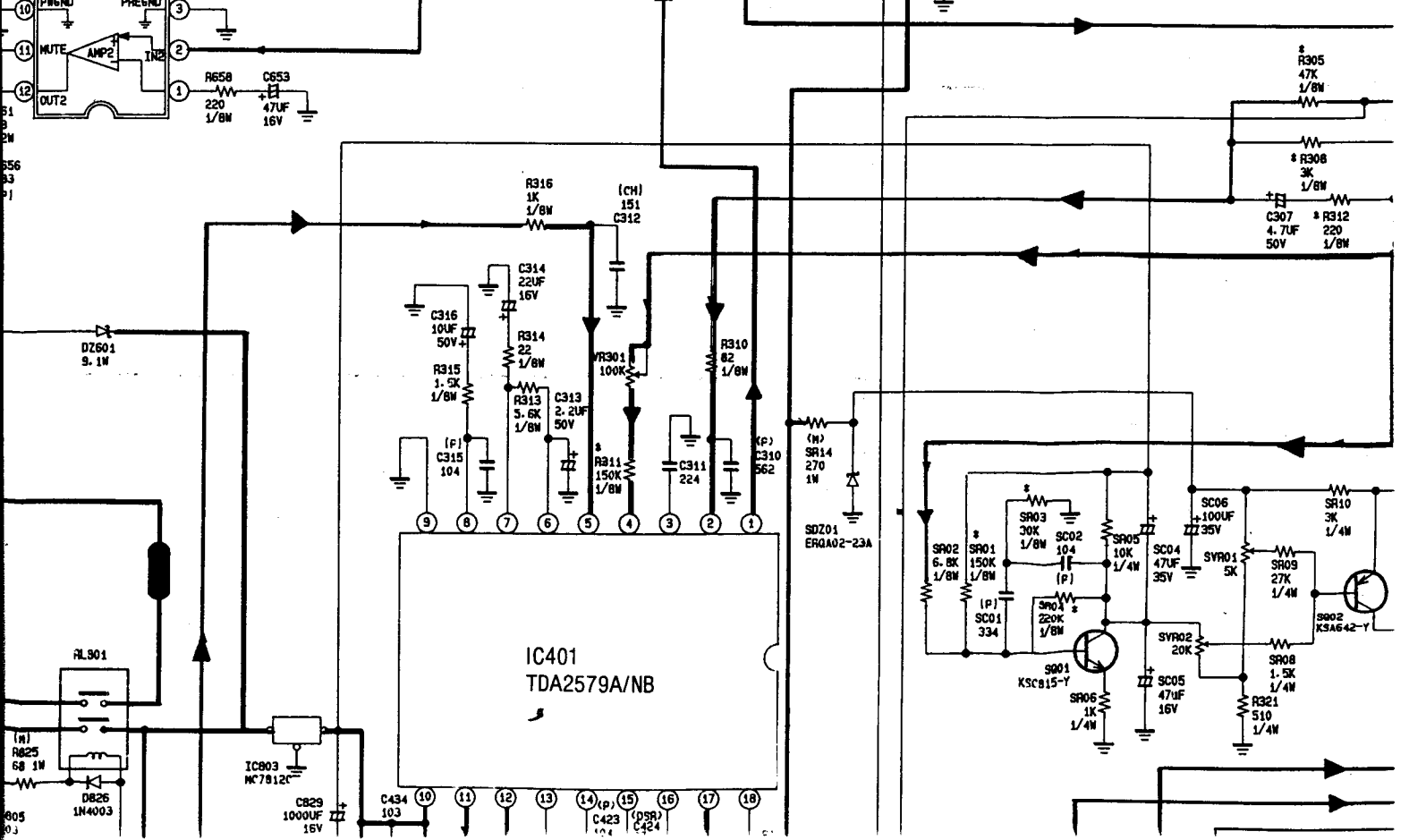
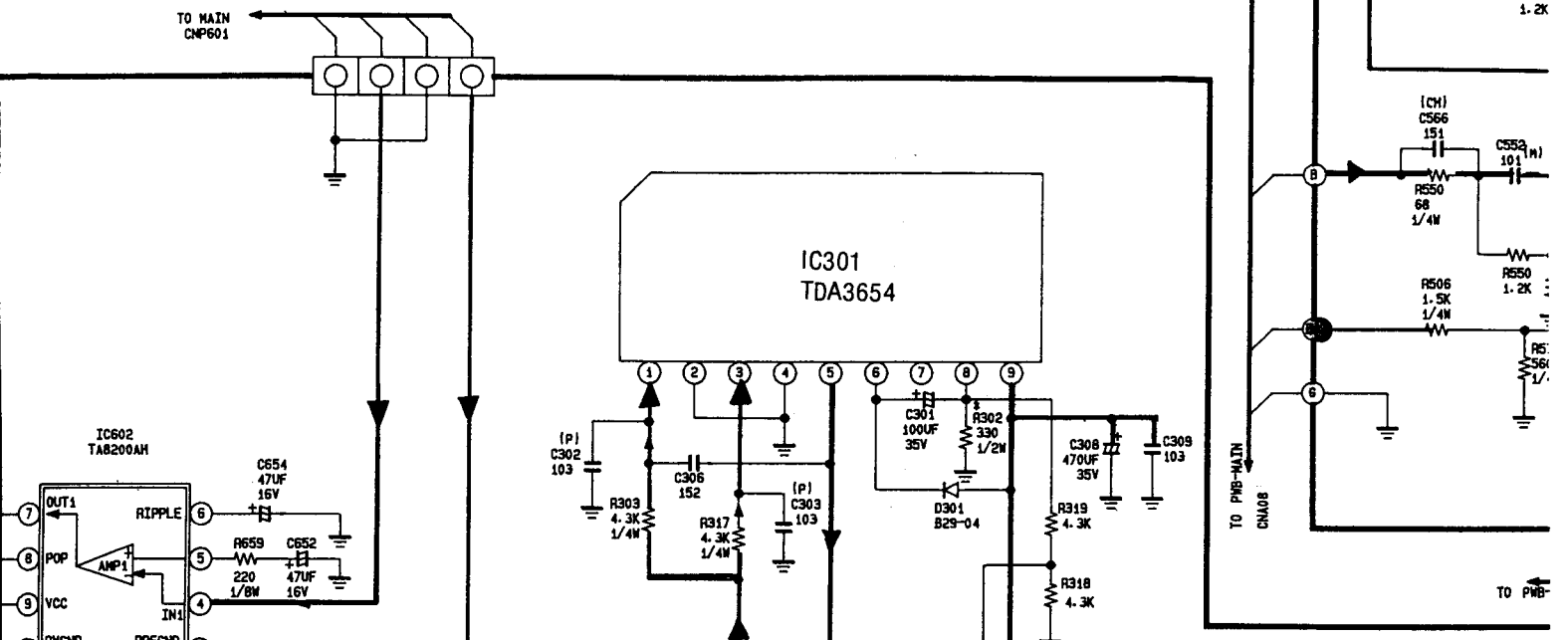
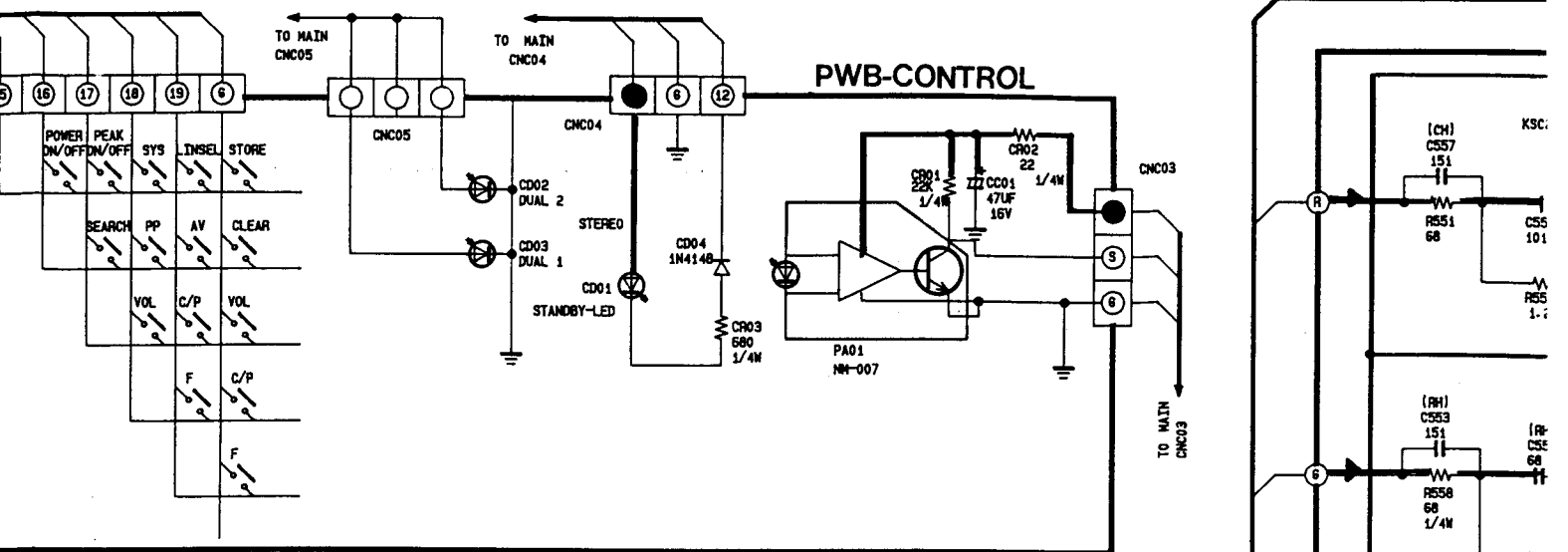
* MARK OPTION

LOCATION	TOSHIBA CRT	PHILIPS CRT
R302	1/2W 330	1/2W 560
R305	1/8W 47K	1/8W 43K
R308	1/8W 3K	1/8W 3.6K
R312	JUMPER	1/8W 220
R309	1/2W 2	1/2W 1
R320	1/2W 0.68	1/2W 1
R321	1/4W 510	1/4W 1K
R411	1/2W 110K-F	1/2W 120K-6
L405	62MH	22MH
R311	130K	150K



PWB-DEFLECTION





CONTROL

PWB-CRT

