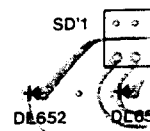
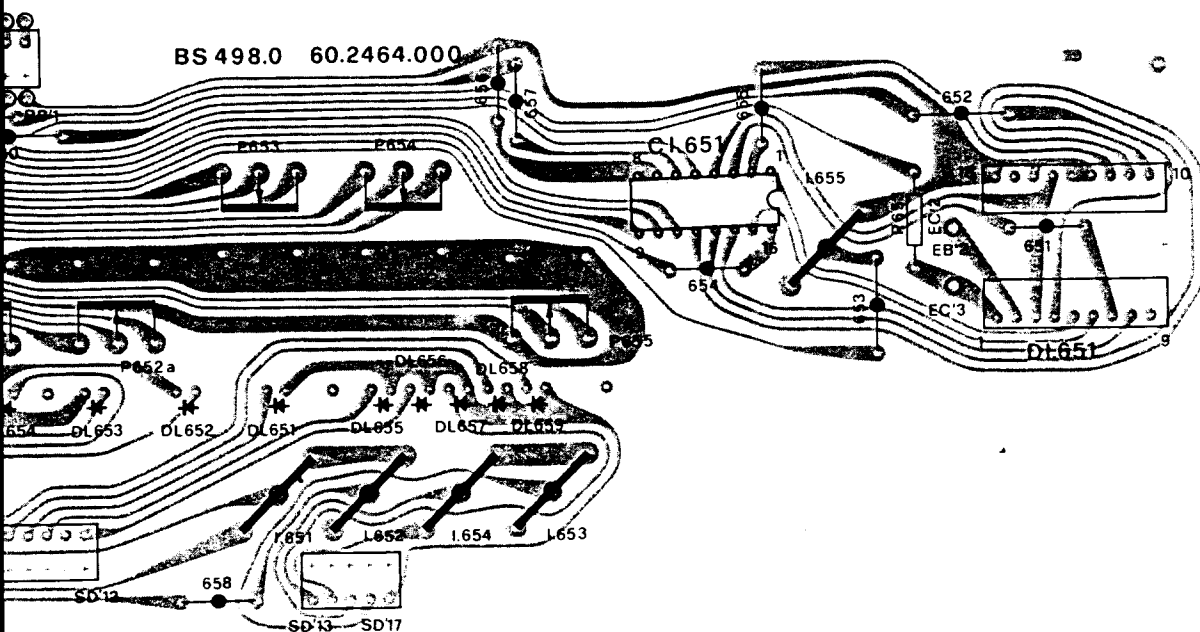


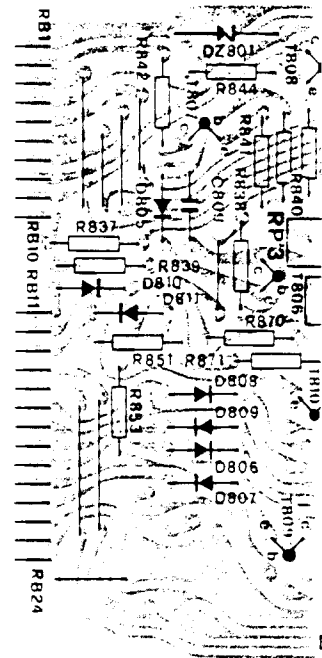
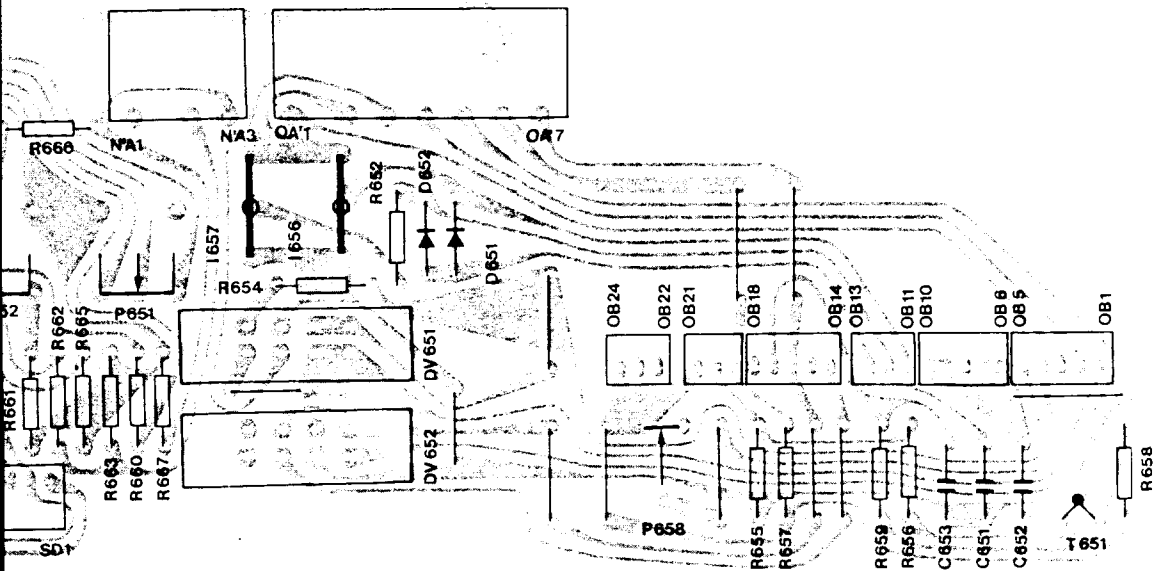
ay printboard BS 405.0

Potentiometer

BS 498.0
60.2418.000

printboard BS 498.0

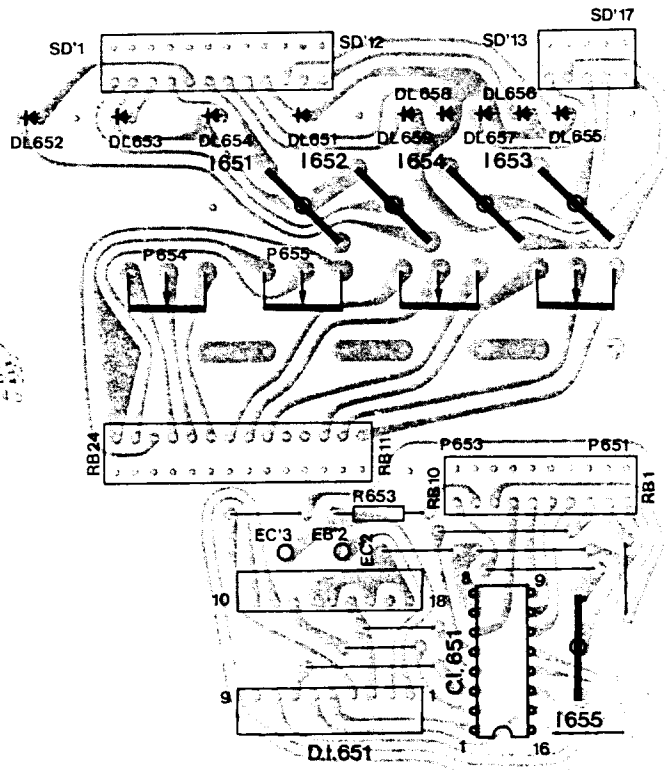




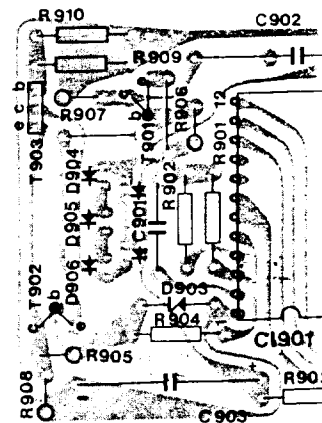
Remote control receive

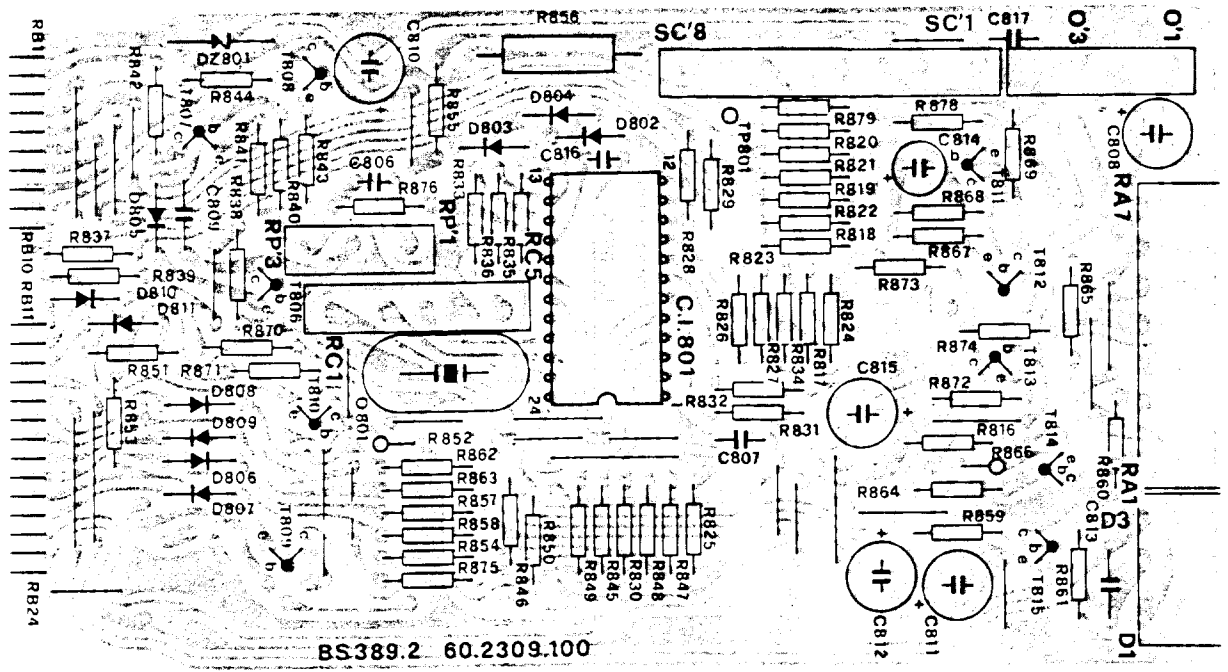
Potentiometers printboard BS 469.0

BS 469.0
60.2418.000



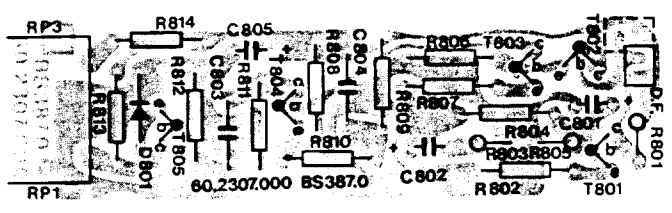
Remote control transr



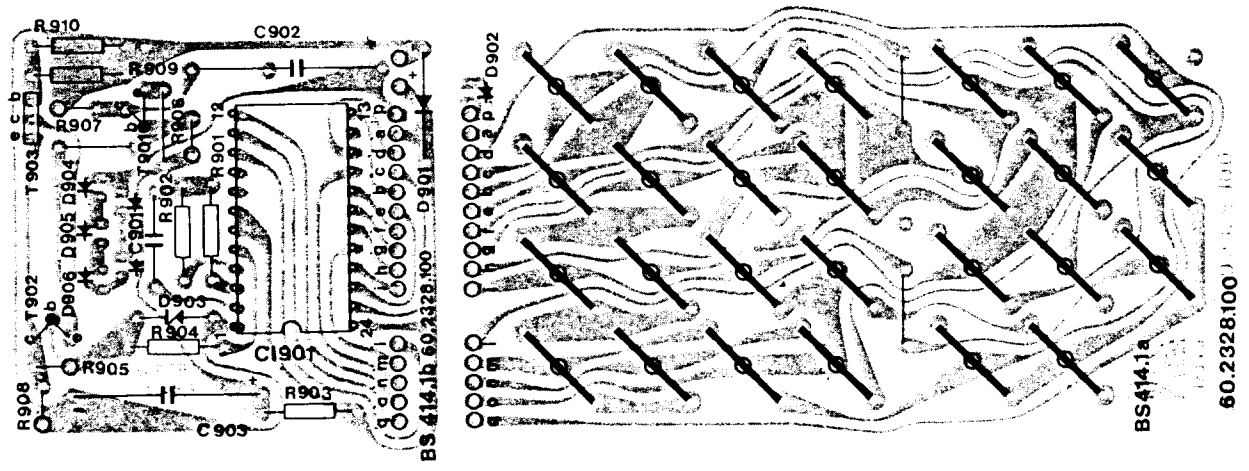


Remote control receiver printboard BS 389.2

Infrared rays preamplifier module BS 387.0



Remote control transmitter BS 414.1 a-b

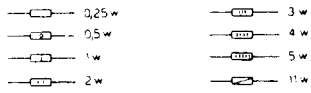


Colour TV receiver

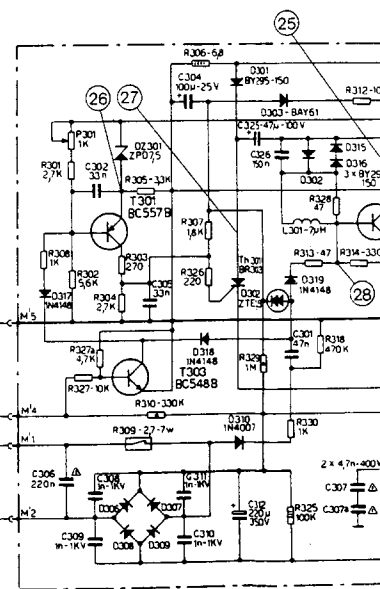
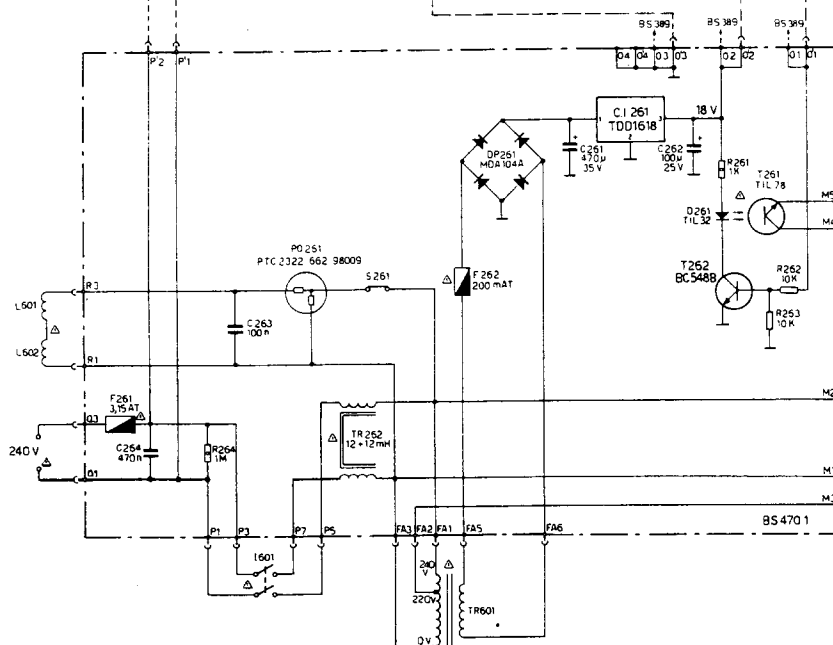
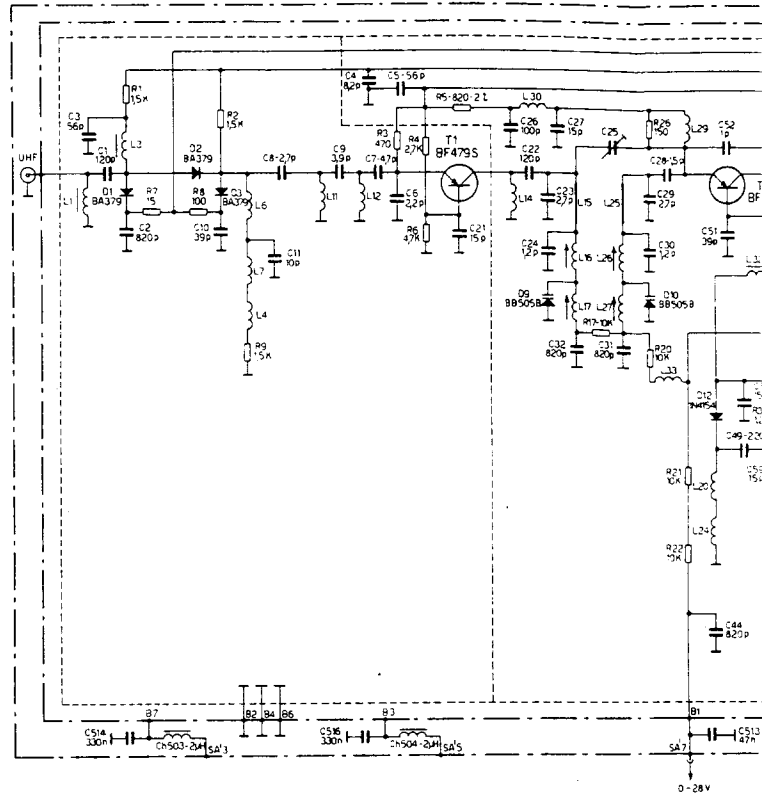
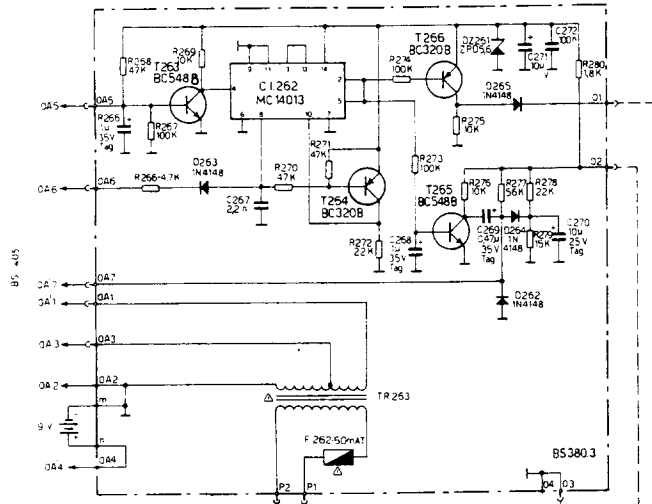
BS 400.2 / 30 AX - PIL S4

50

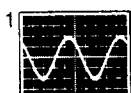
All resistors without markings are 1/4 w-5%. All measurements are referred to ground with mains supply 220 V, correct picture and a voltmeter of 20000 μ /v



The components marked by this symbol Δ are essential for reasons of safety and may be replaced solely with genuine spare parts. After carrying out a repair work make sure that the electric and mechanical characteristics have not accidentally been modified.



3



V 800 mV



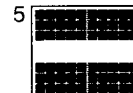
H 2.8 Vpp



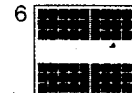
H 2 Vpp



H 1 Vpp



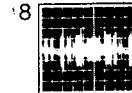
H 1 Vpp



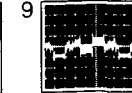
H 1 Vpp



H 200 mVpp



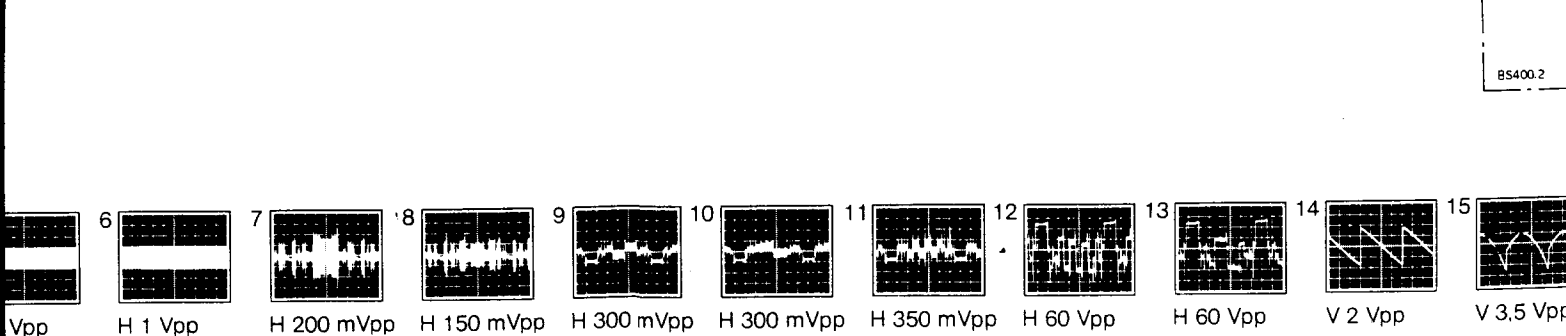
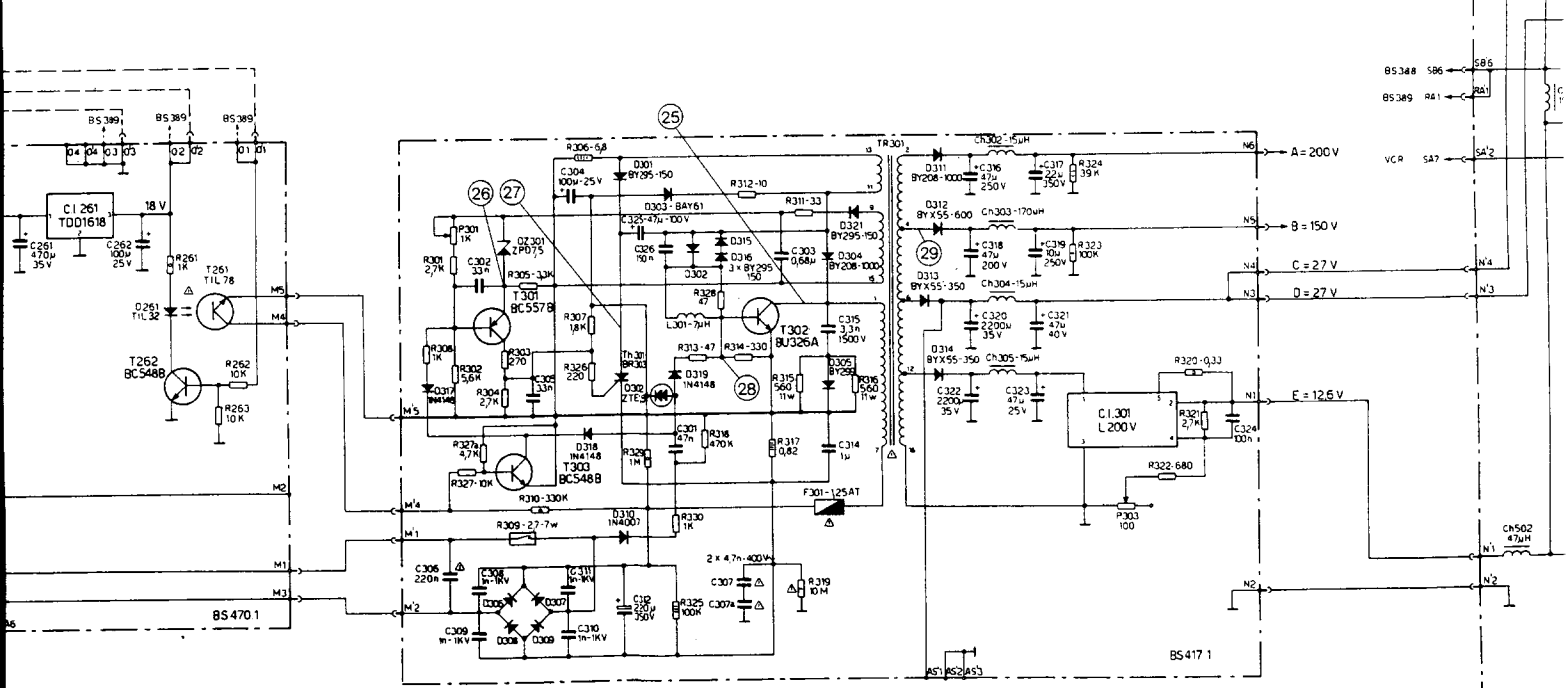
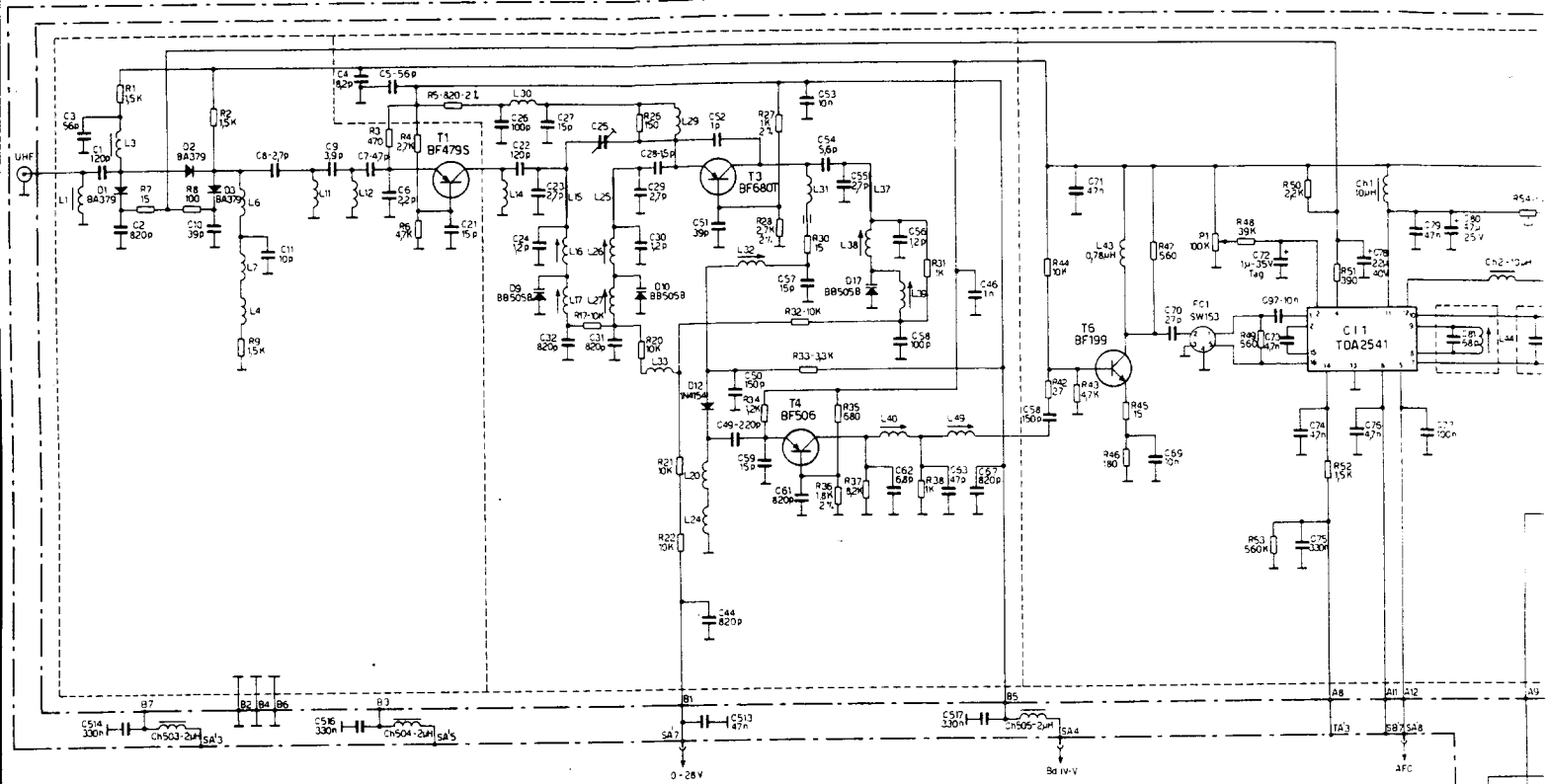
H 150 mVpp



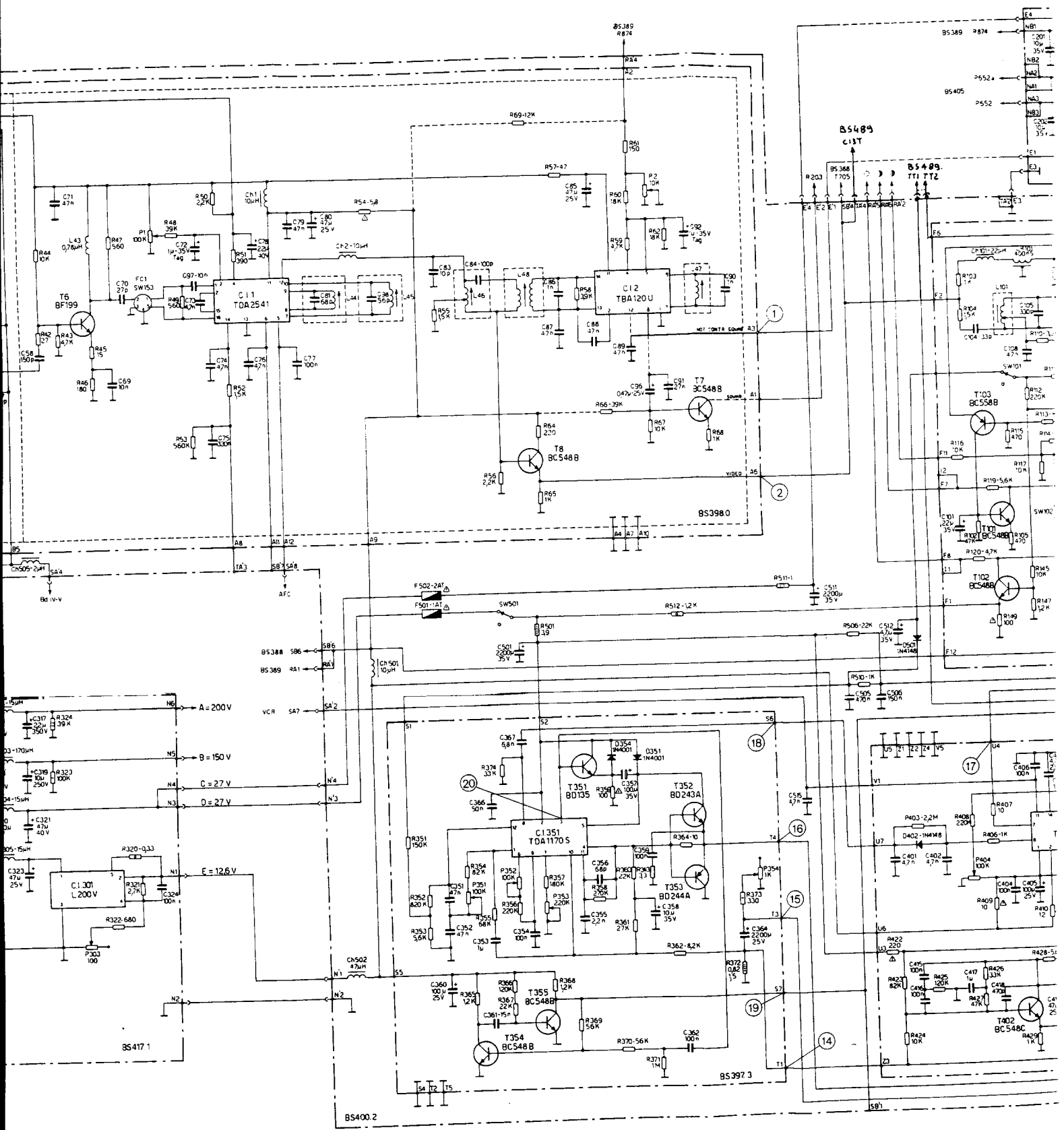
H 300 mVpp



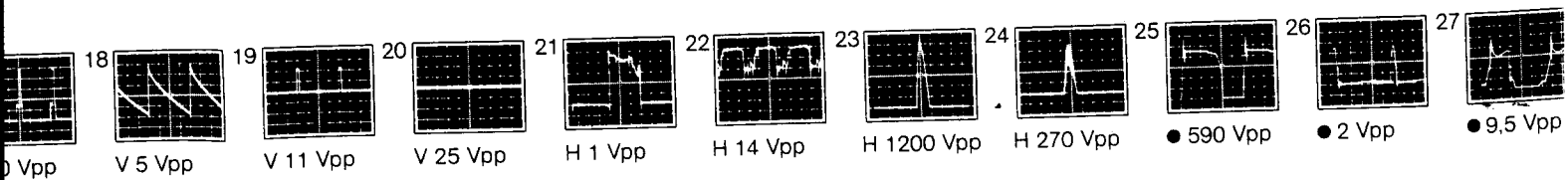
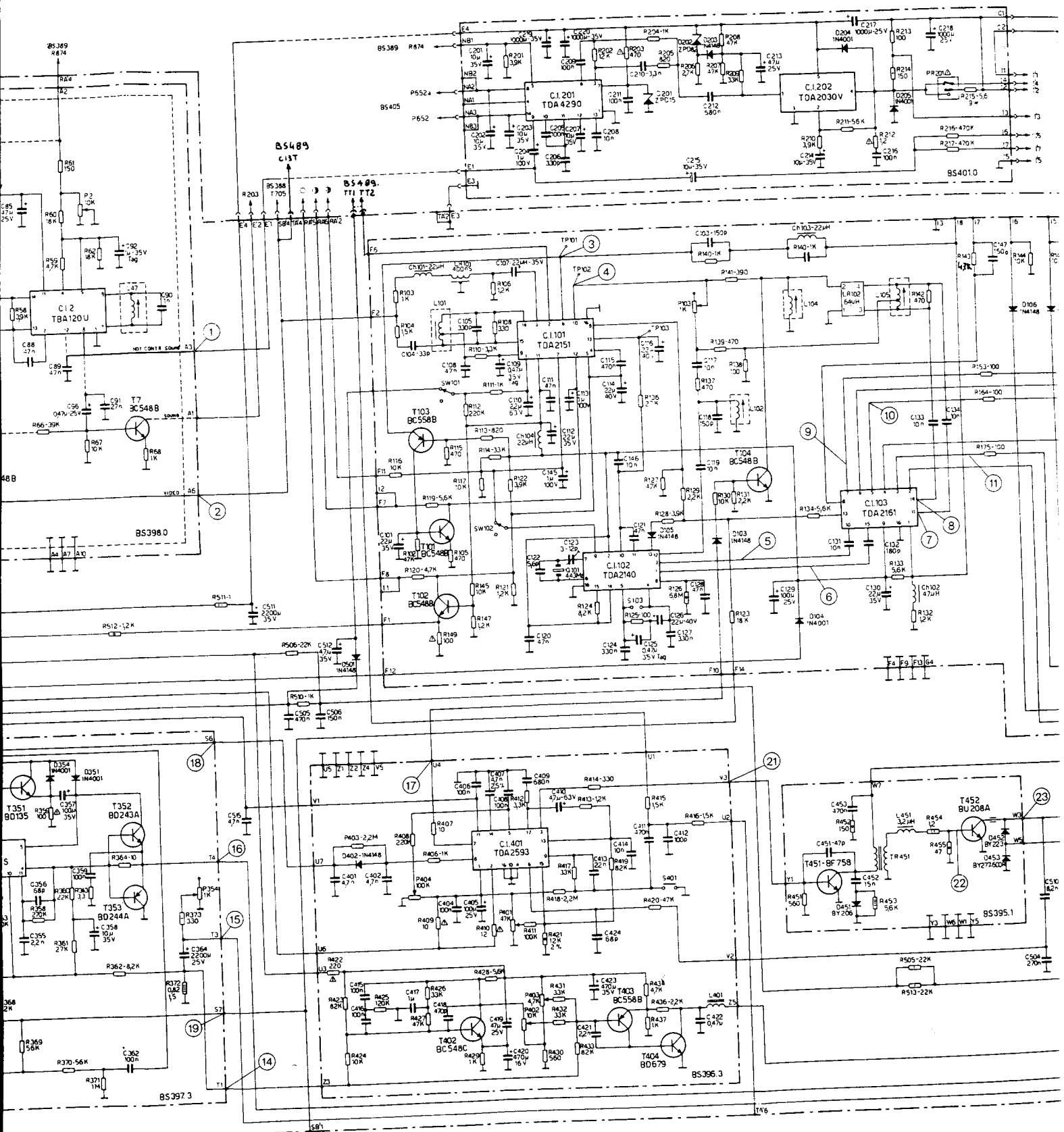
H 300 mVpp



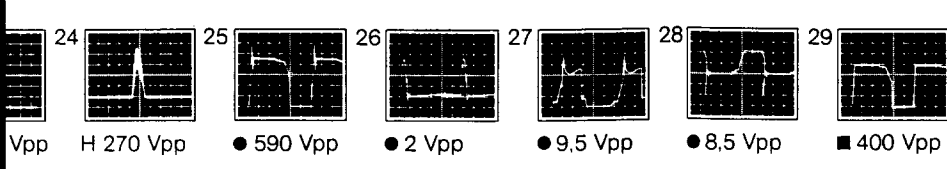
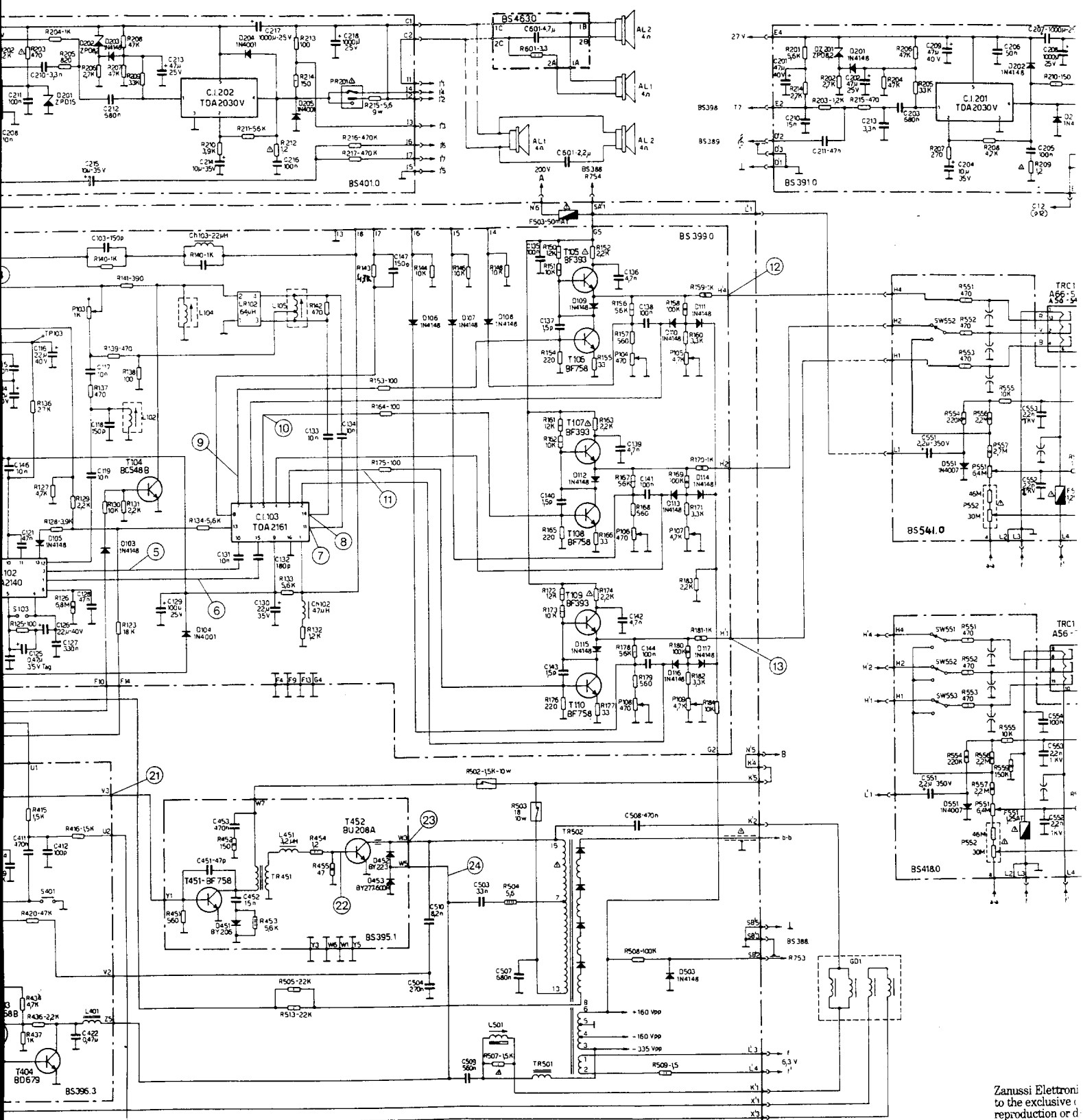
6 Vpp H 1 Vpp H 200 mVpp H 150 mVpp H 300 mVpp H 300 mVpp H 350 mVpp H 60 Vpp H 60 Vpp V 2 Vpp V 3.5 Vpp



- 12 H 60 Vpp
- 13 H 60 Vpp
- 14 V 2 Vpp
- 15 V 3.5 Vpp
- 16 V 50 Vpp
- 17 V 10 Vpp
- 18 V 5 Vpp
- 19 V 11 Vpp
- 20 V 25 Vpp
- 21 H 1 Vpp
- 22 H 1 Vpp



18 V 5 Vpp
 19 V 11 Vpp
 20 V 25 Vpp
 21 H 1 Vpp
 22 H 14 Vpp
 23 H 1200 Vpp
 24 H 270 Vpp
 25 ● 590 Vpp
 26 ● 2 Vpp
 27 ● 9.5 Vpp

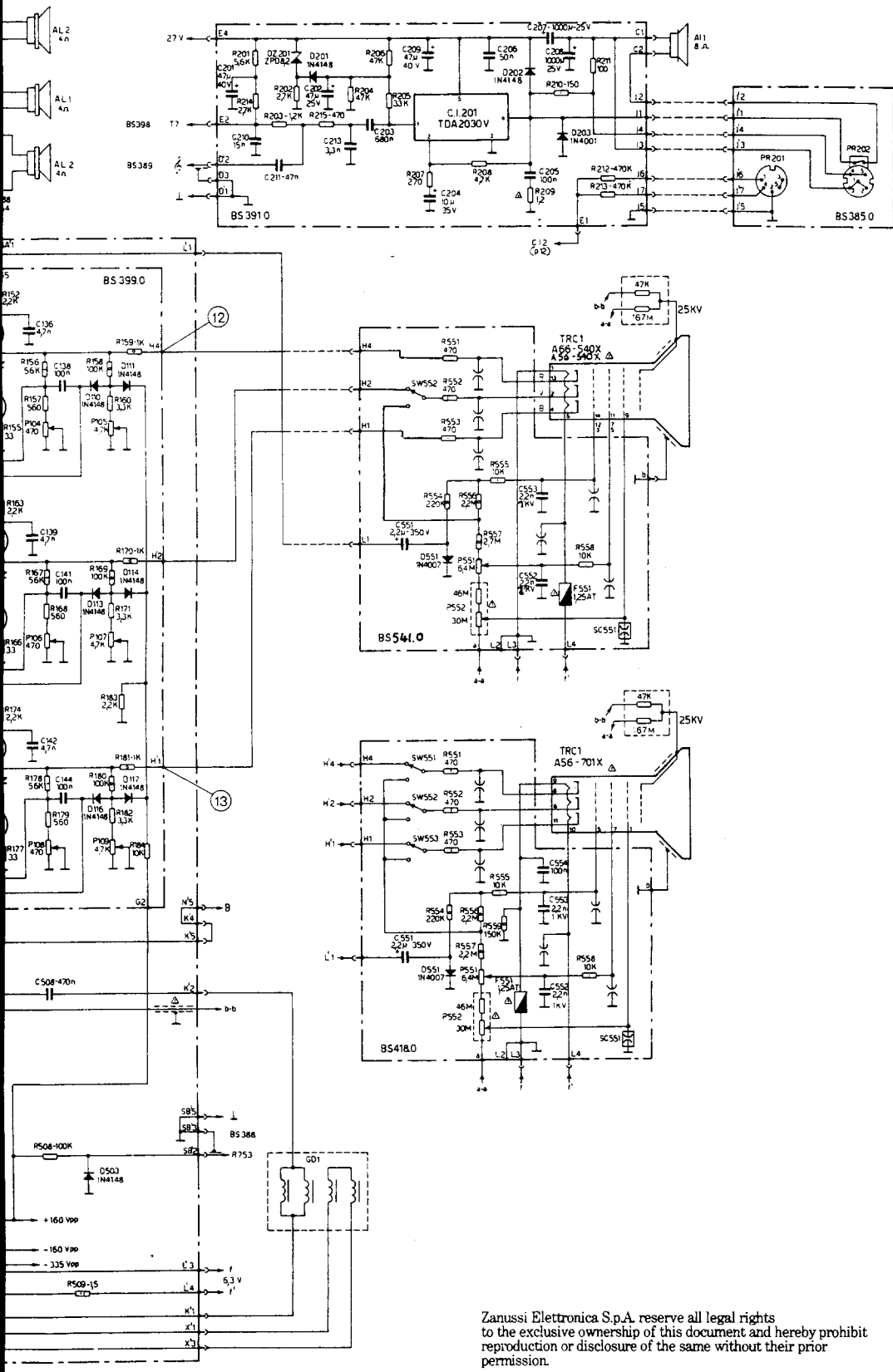


Ref. M'5 ●
Ref. N 2 ■

Vpp H 270 Vpp ● 590 Vpp ● 2 Vpp ● 9.5 Vpp ● 8.5 Vpp ■ 400 Vpp

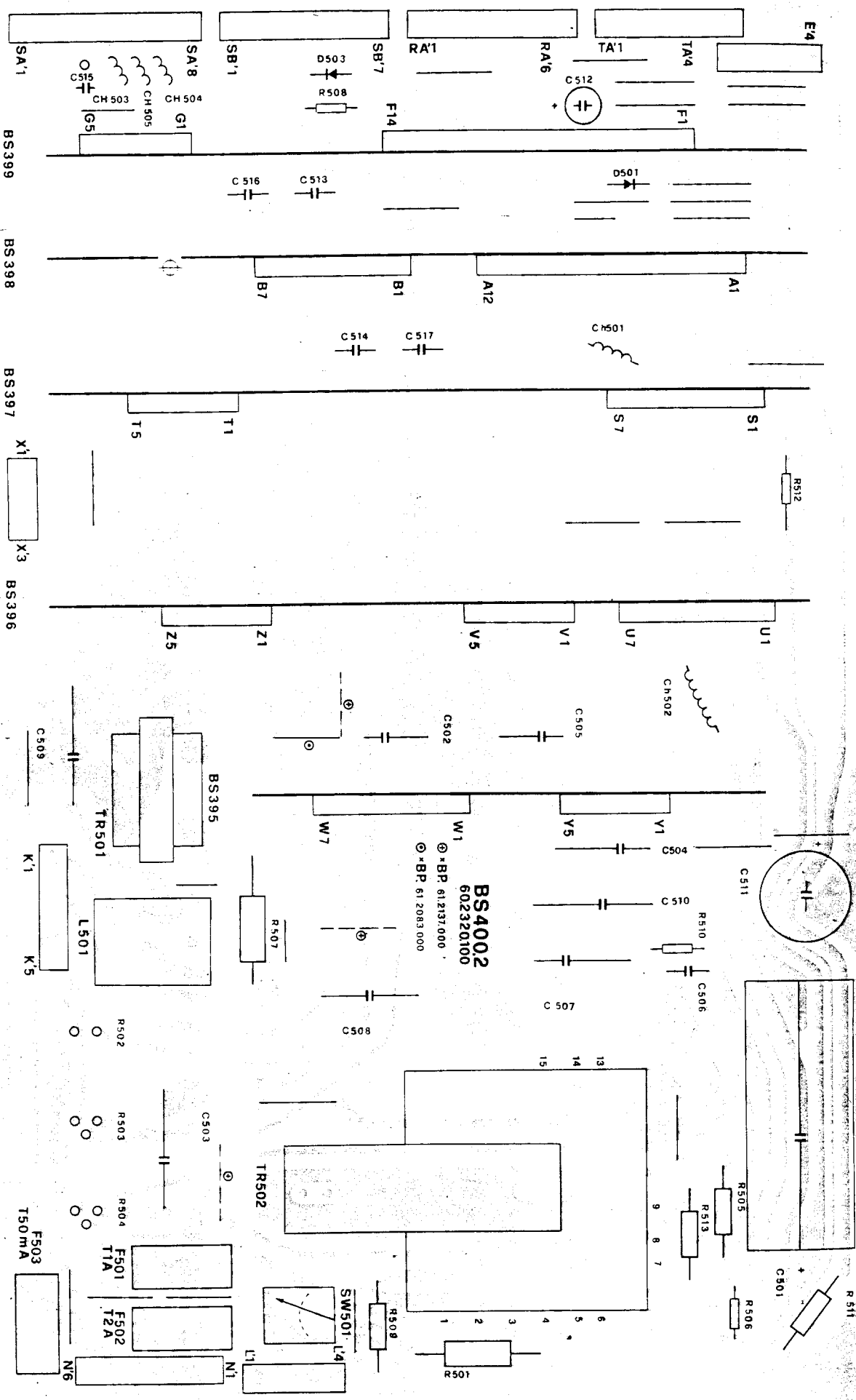
Zanusso Elettroli
to the exclusive
reproduction or
permission.

Colou BS 40

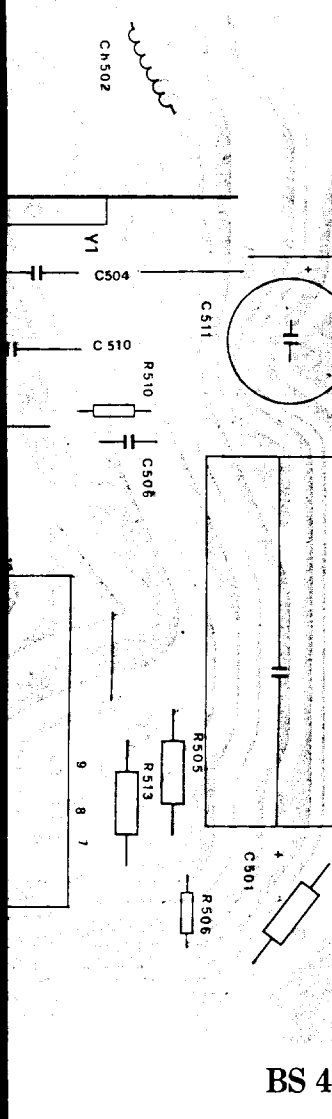
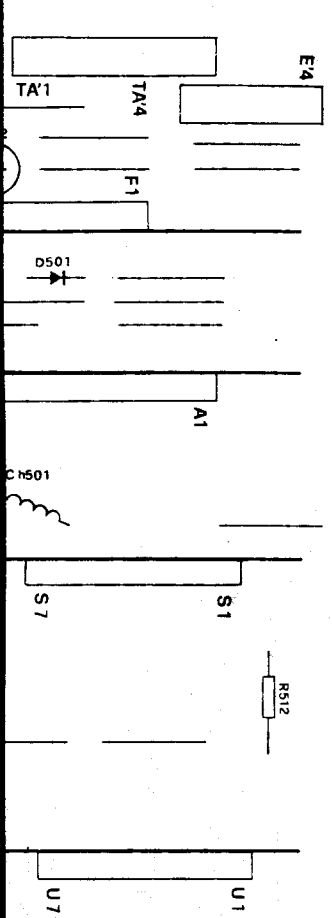


Zanussi Elettronica S.p.A. reserve all legal rights to the exclusive ownership of this document and hereby prohibit reproduction or disclosure of the same without their prior permission.

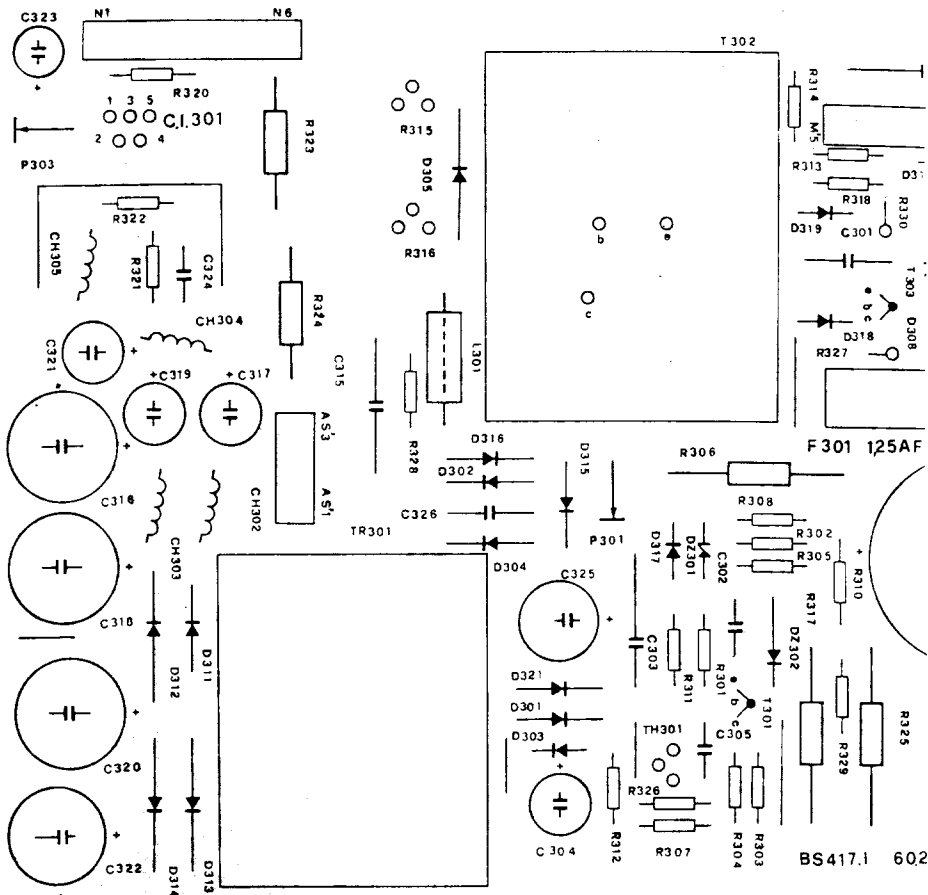
Ref. M'5 ●
Ref. N 2 ■



BS 400.2

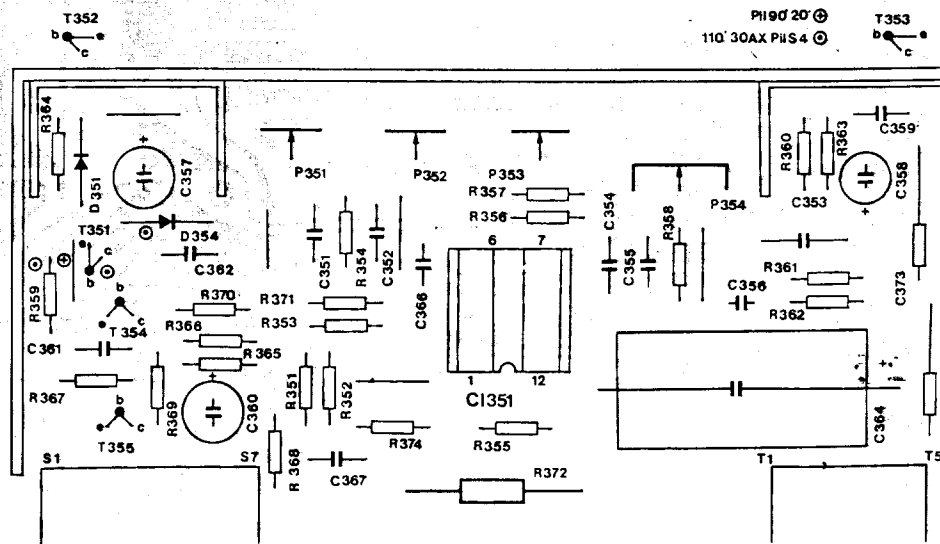


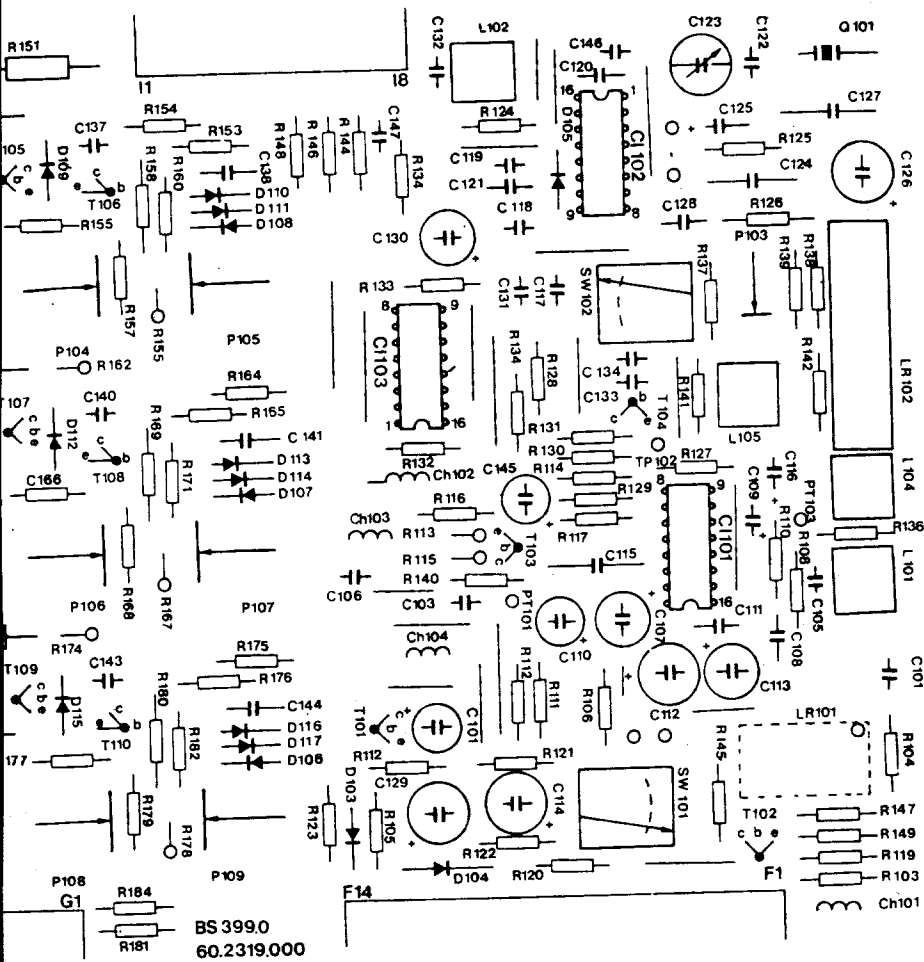
BS 400.2



BS 417.1 Supply module

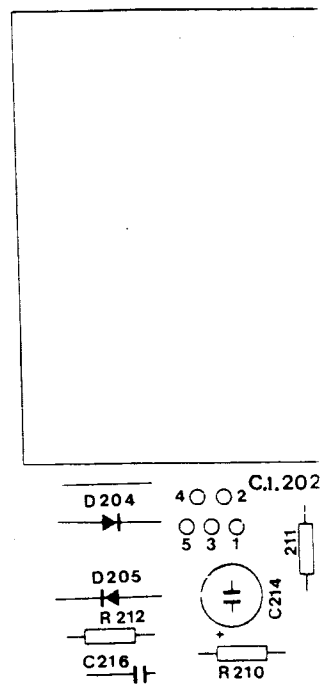
BS 397.3 Vertical deflection printboard





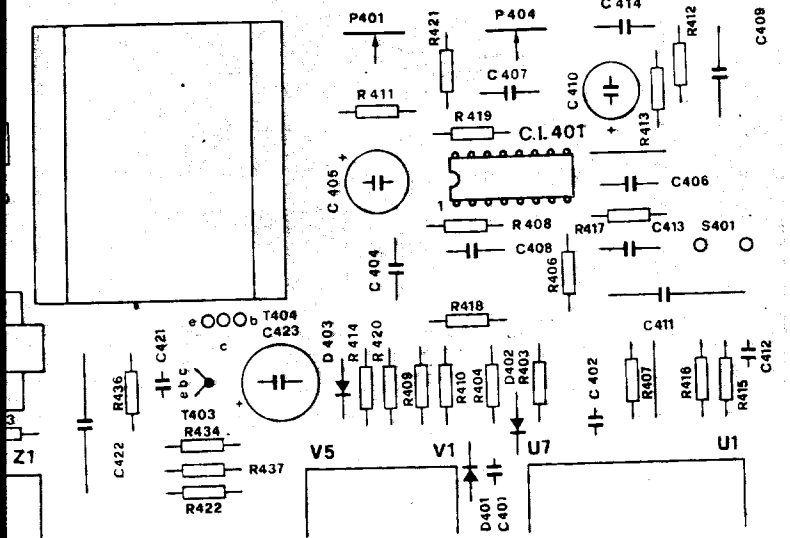
BS 399.0
60.2319.000

0 Luminance-chrominance and video output stage printboard

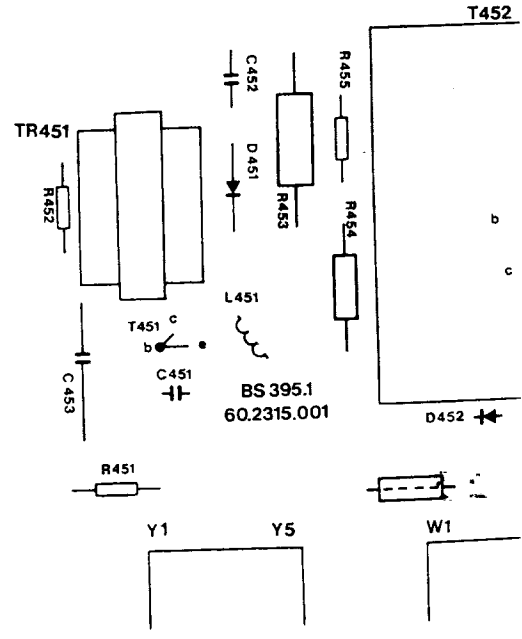


BS 401.0 Audio module

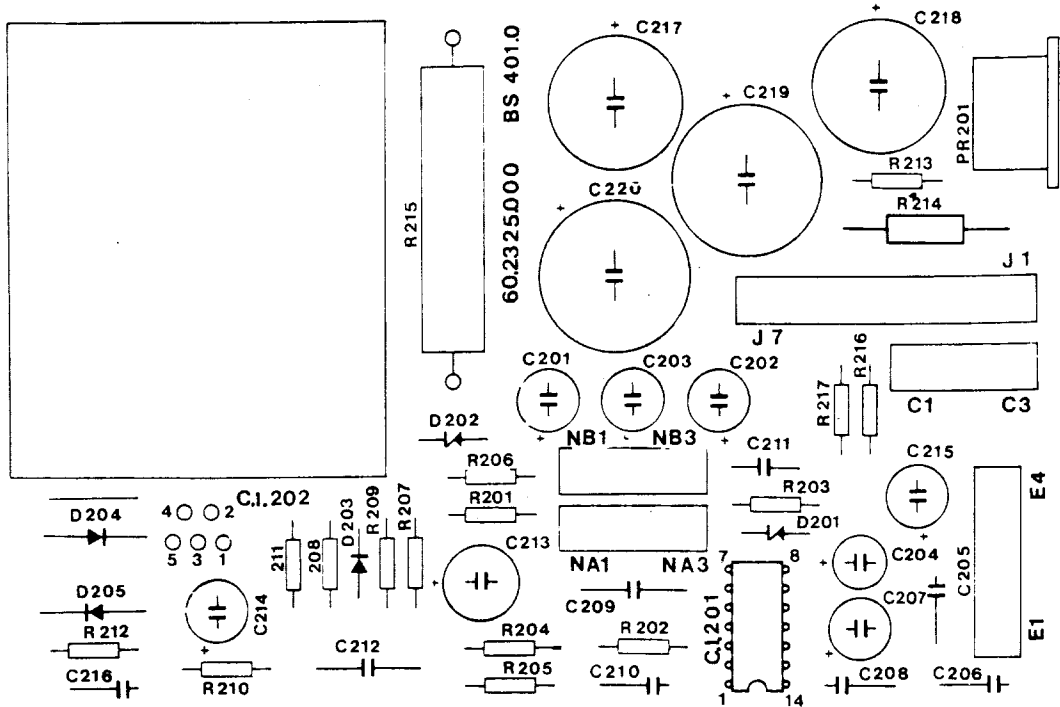
ncushion correction module



BS 395.1 Horiz. deflection module

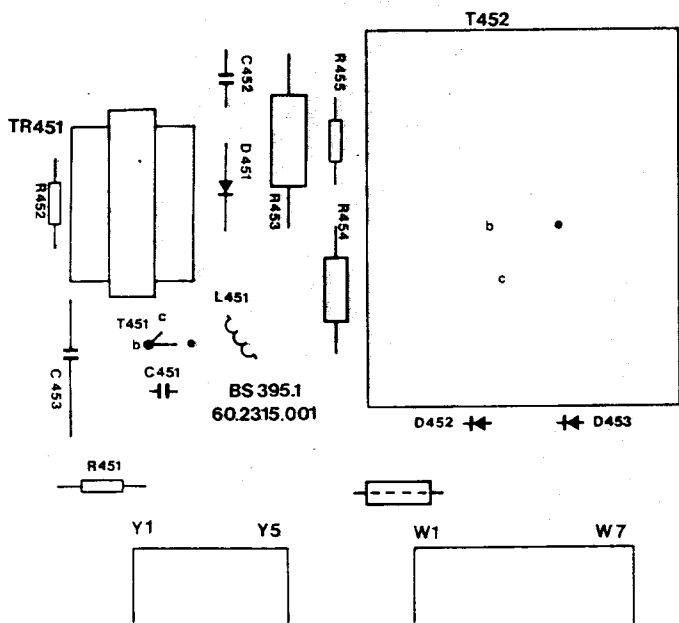


BS 395.1
60.2315.001

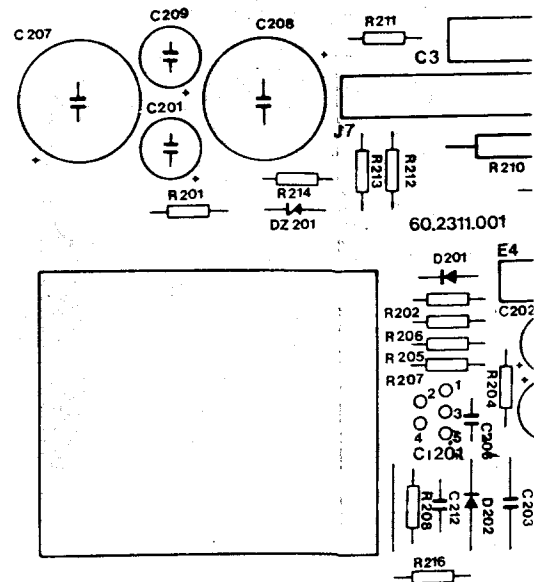


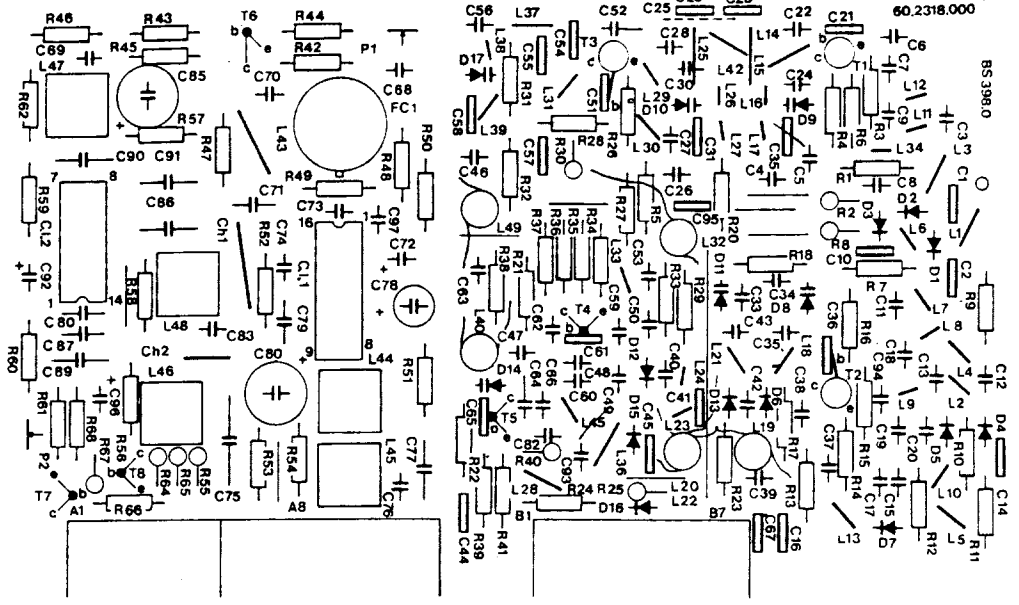
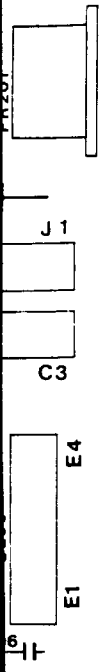
BS 401.0 Audio module

BS 395.1 Horiz. deflection module



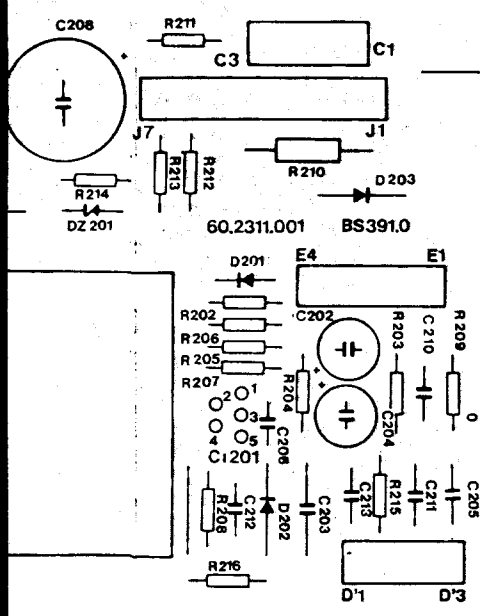
BS 391.0 Audio module





BS 398.0 RF-IF printboard

module



BS 393.1 Picture tube printboard

