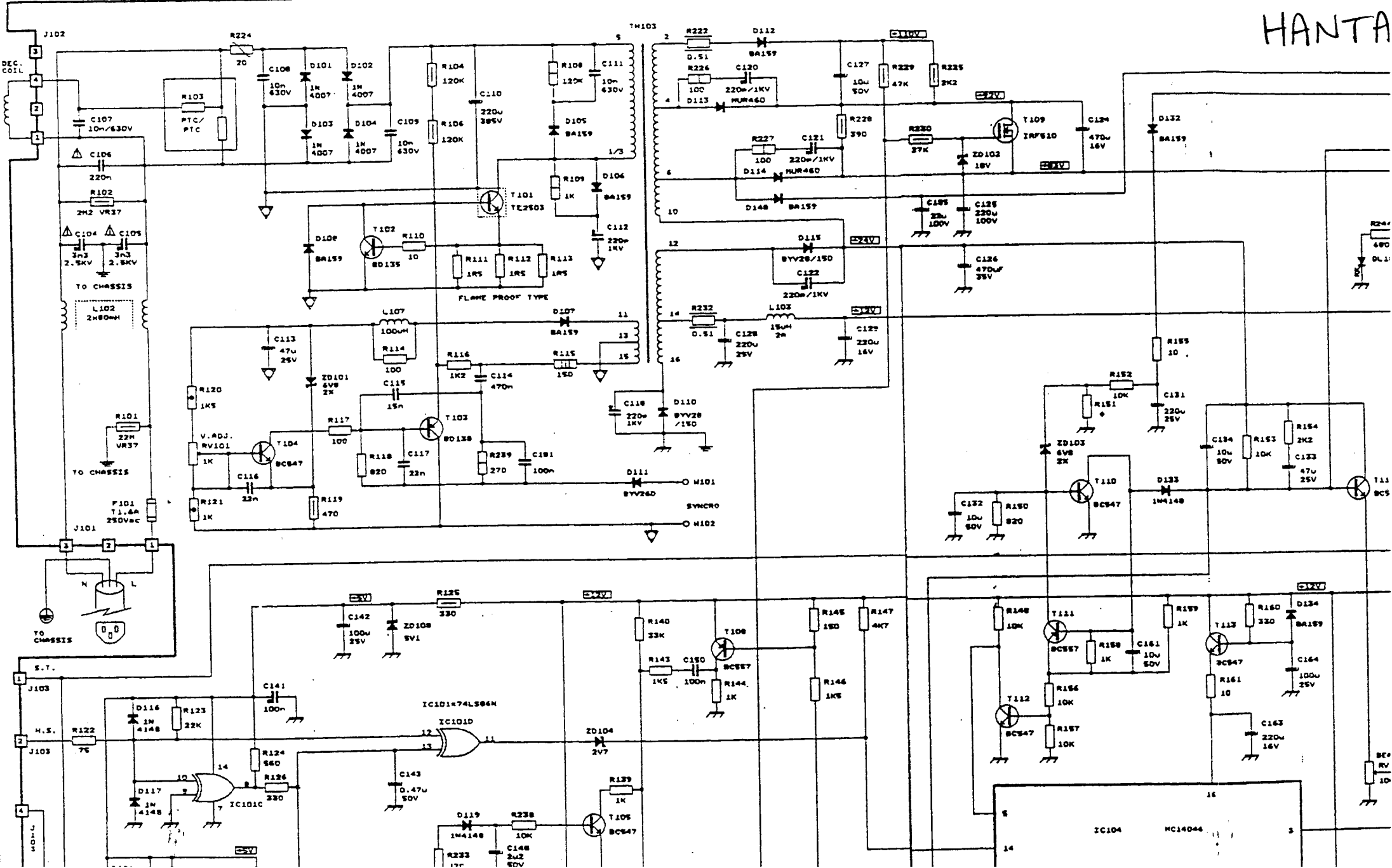
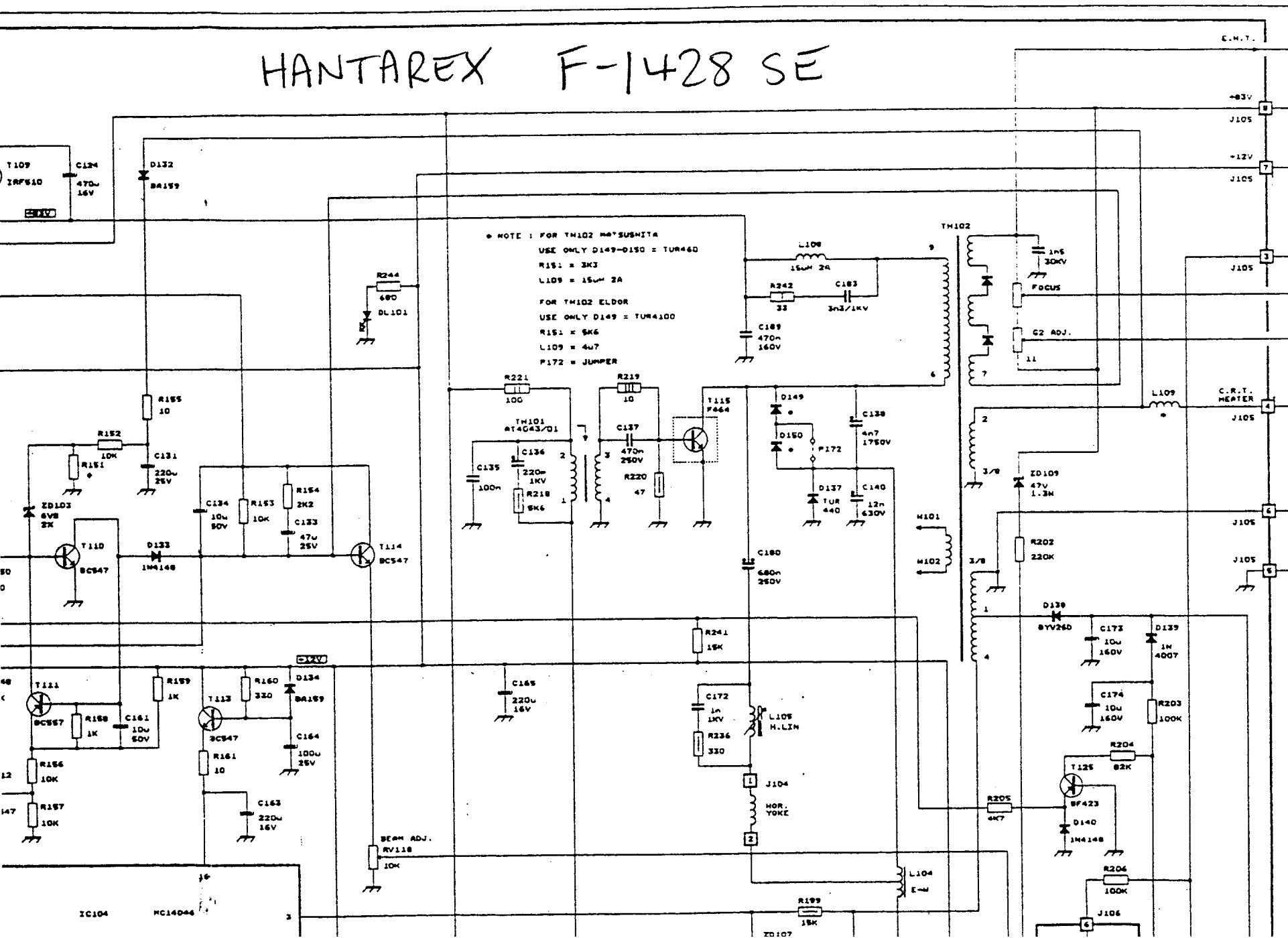


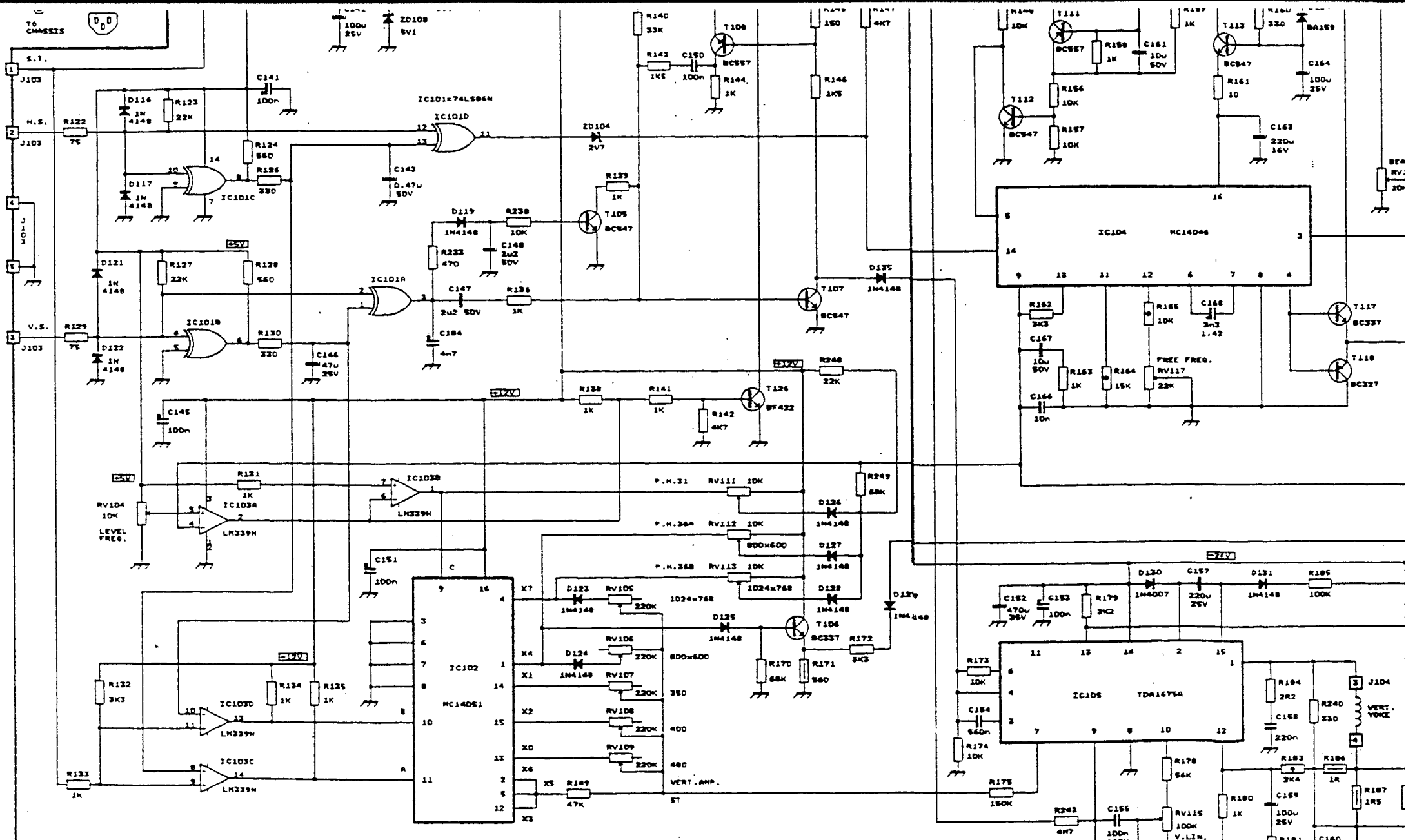
HANTA



HANTAREX F-1428 SE



YOF
EIS
HAT
BLE



SCHEMATIC NOTES

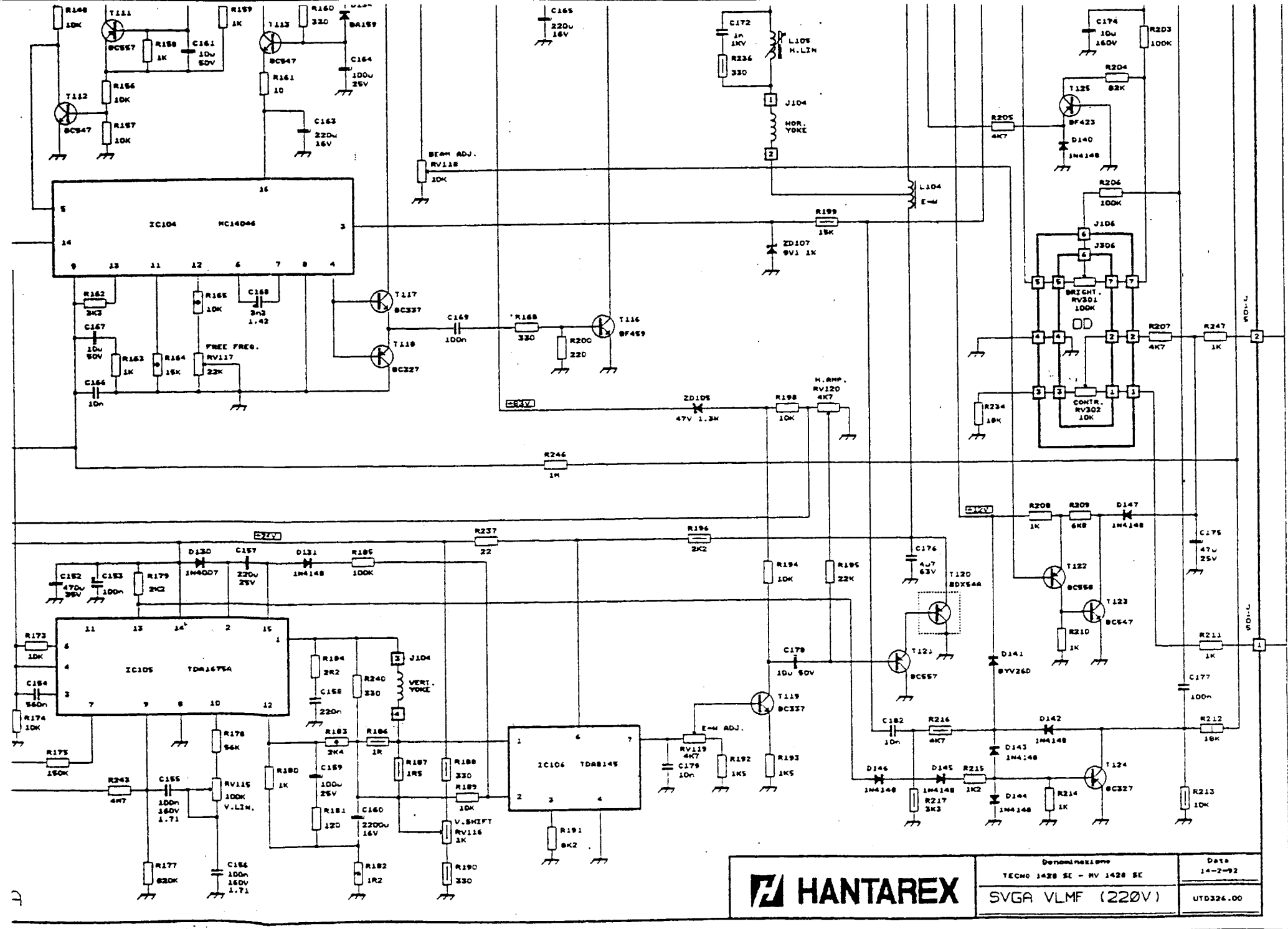
Unless otherwise specified

RESISTANCE					CAPACITANCE				
1/4W	1/4W	1/2W	1W	2W	NET. FILM	POLYP.	DOUBLE NET. FILM	POLYP.	CERAMIC
1K-2K					POL.	FILM/FOIL	FILM POLYP.	2.5X	ELECTROLYTIC

▲ For safety purposes, replace all components marked with this symbol with an identical type.

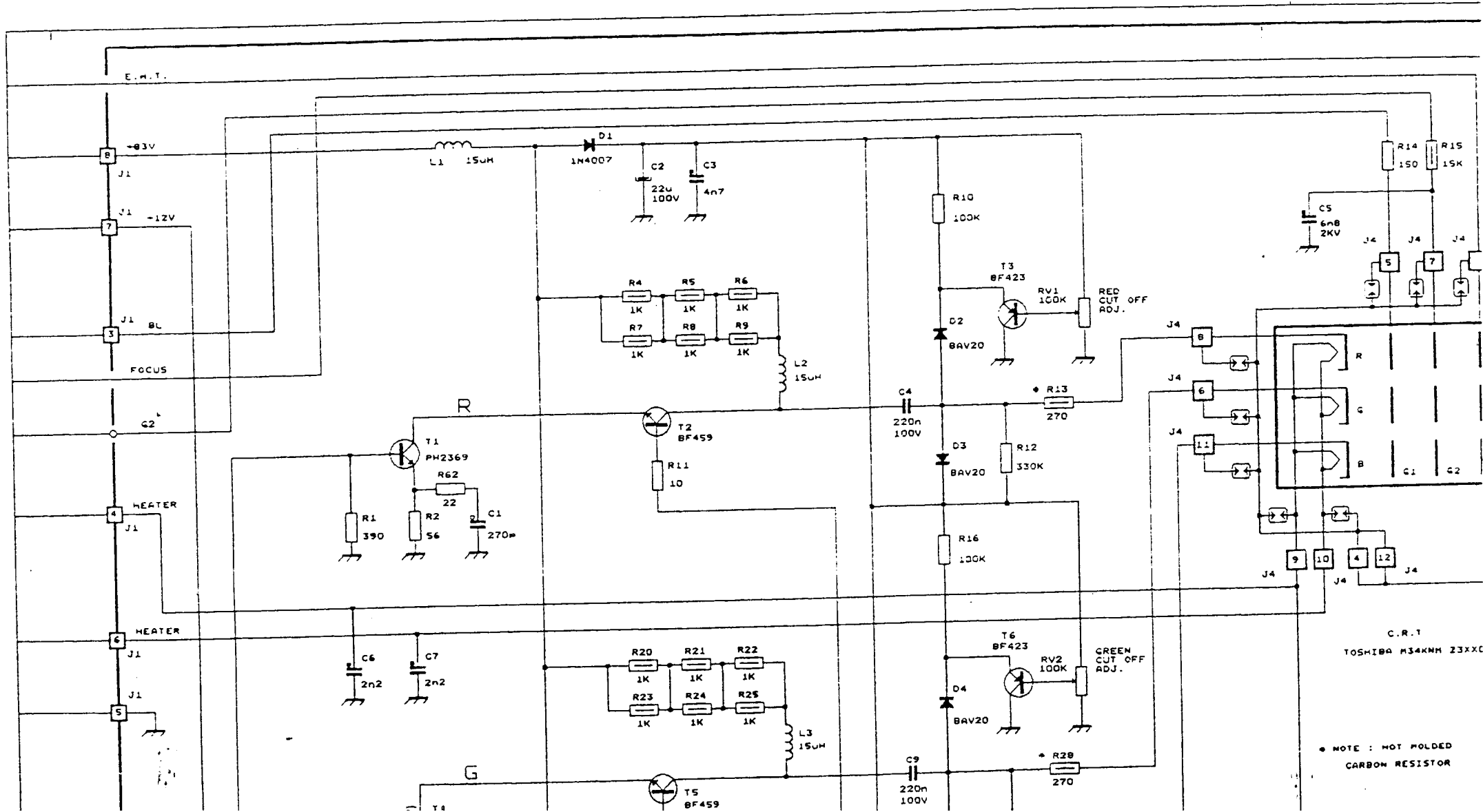
TA

THE QUALITY OF
THIS PAGE IS
THE BEST THAT

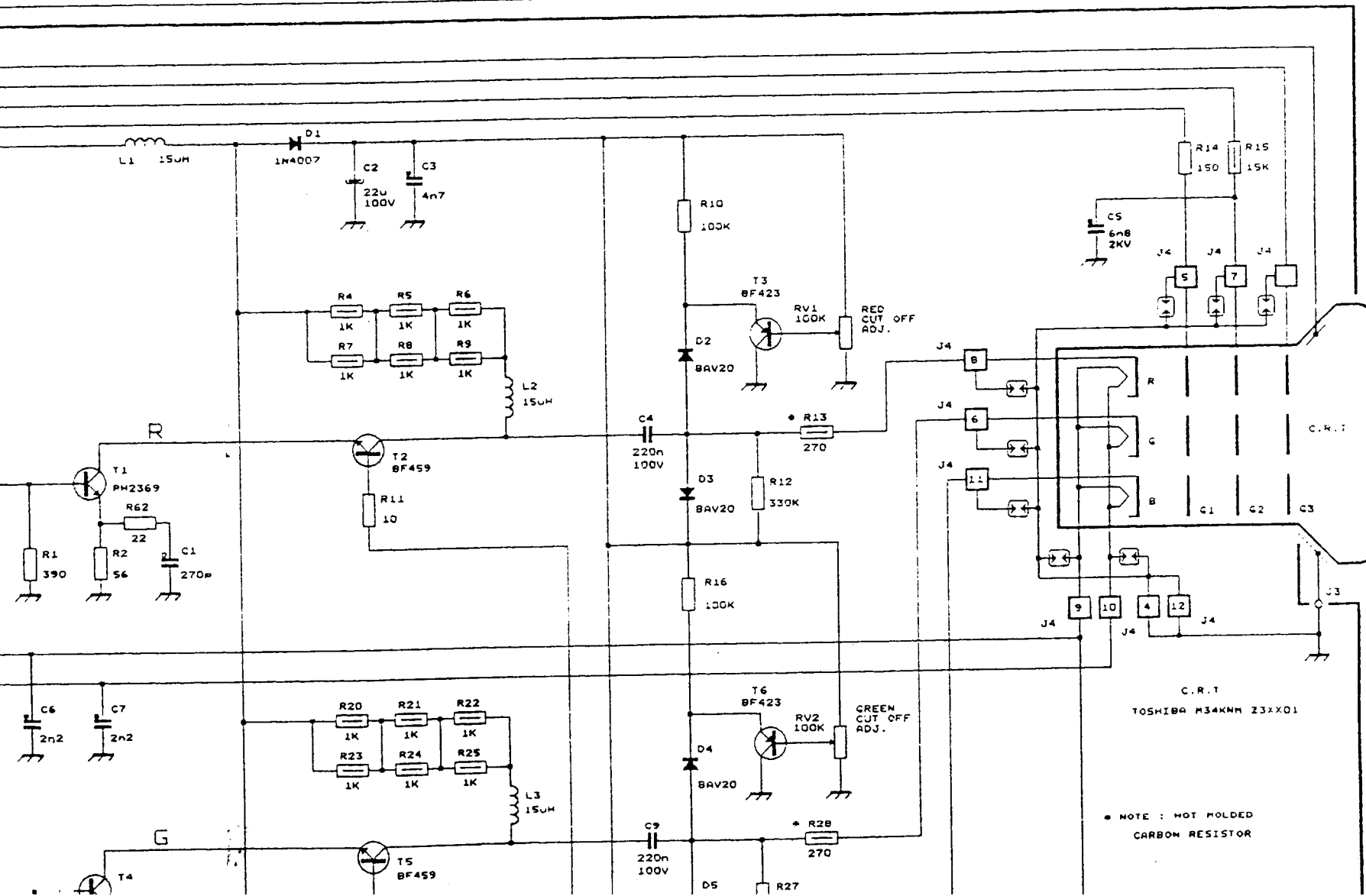


	Denominazione TECNO 1428 SE - MV 1428 SE	Data 14-2-92
	SVGR VLMF (220V)	
	UTD326.00	

THIS PAGE IS
THE BEST THAT
IS AVAILABLE

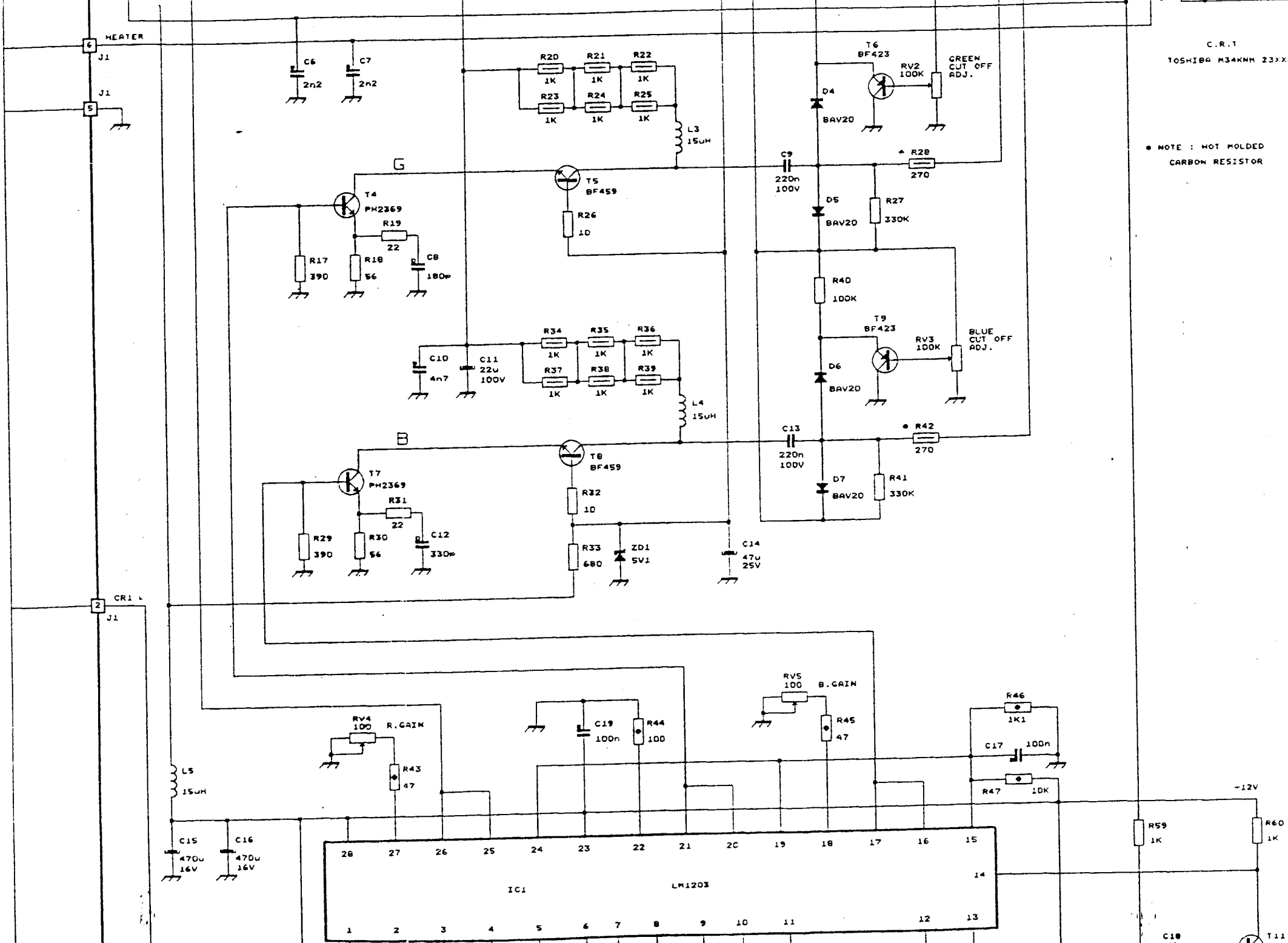


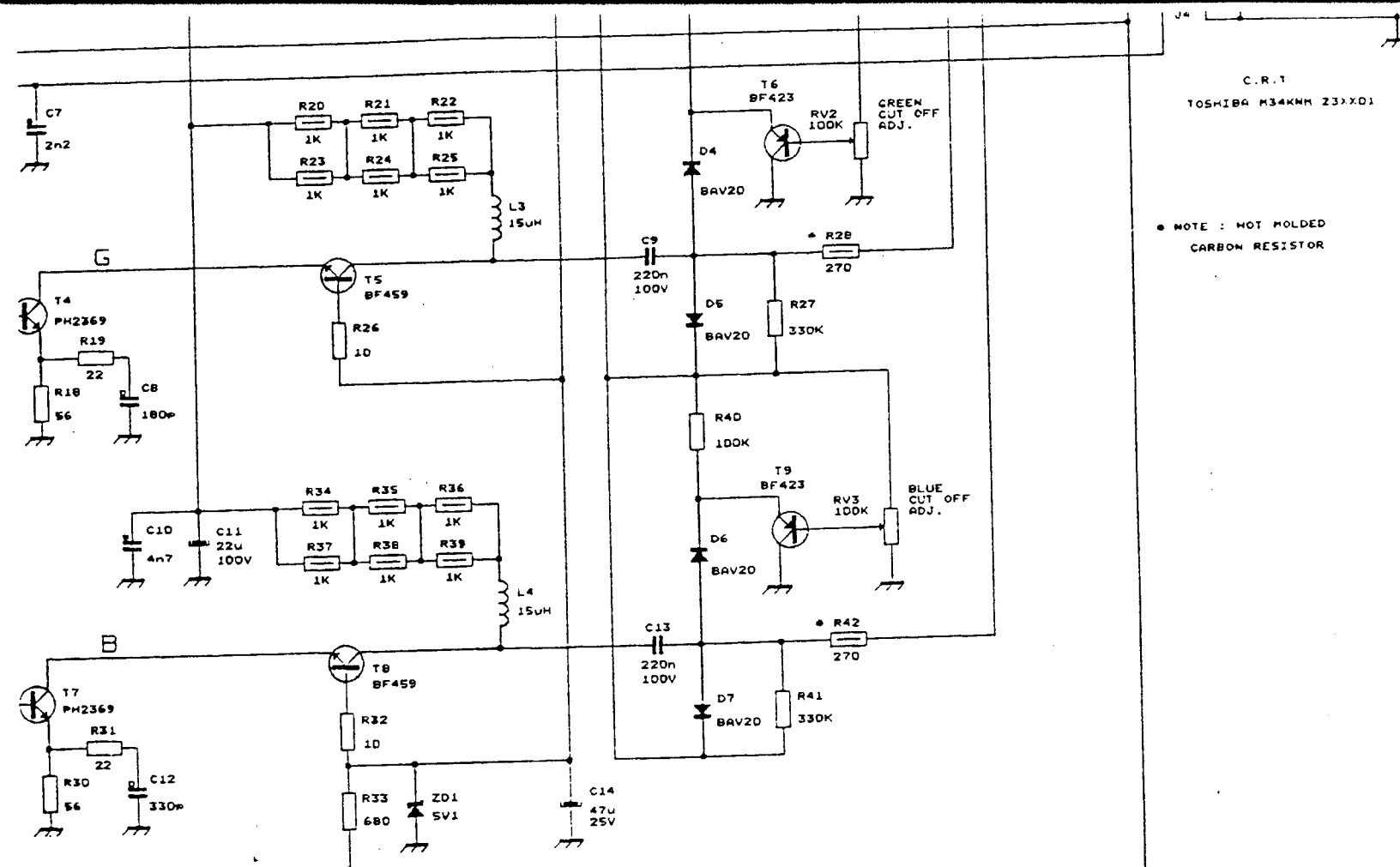
THIS PAGE IS
THE BEST THAT
IS AVAILABLE



NOTE: HOT MOLDED
CARBON RESISTOR

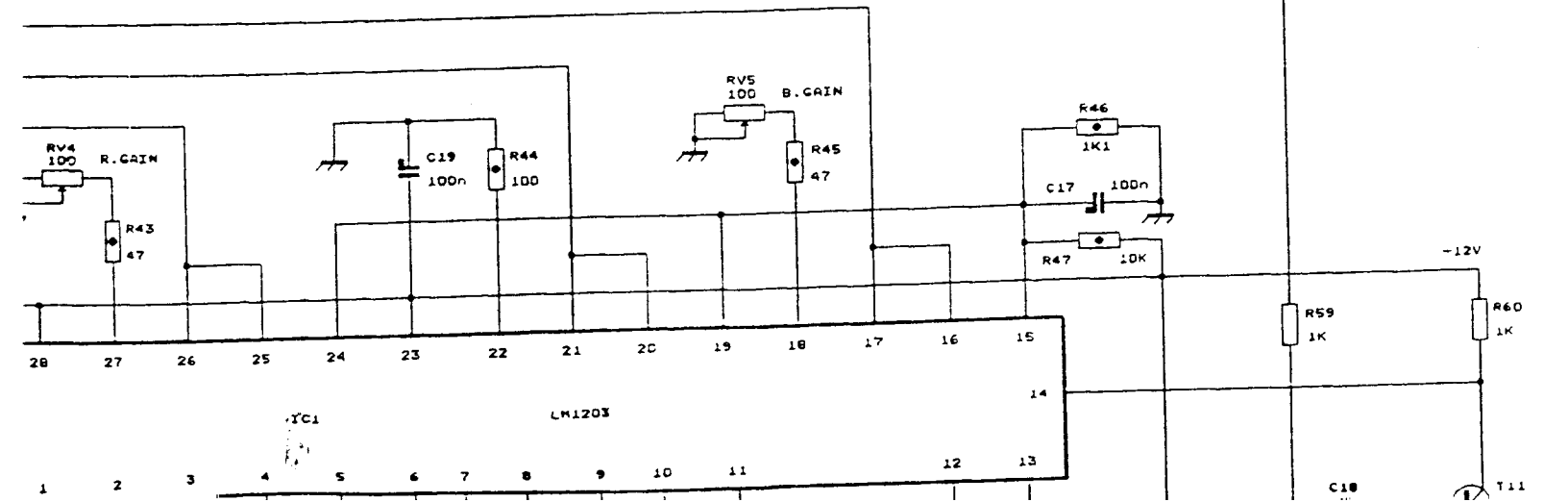
• NOTE : NOT MOLDED
CARBON RESISTOR

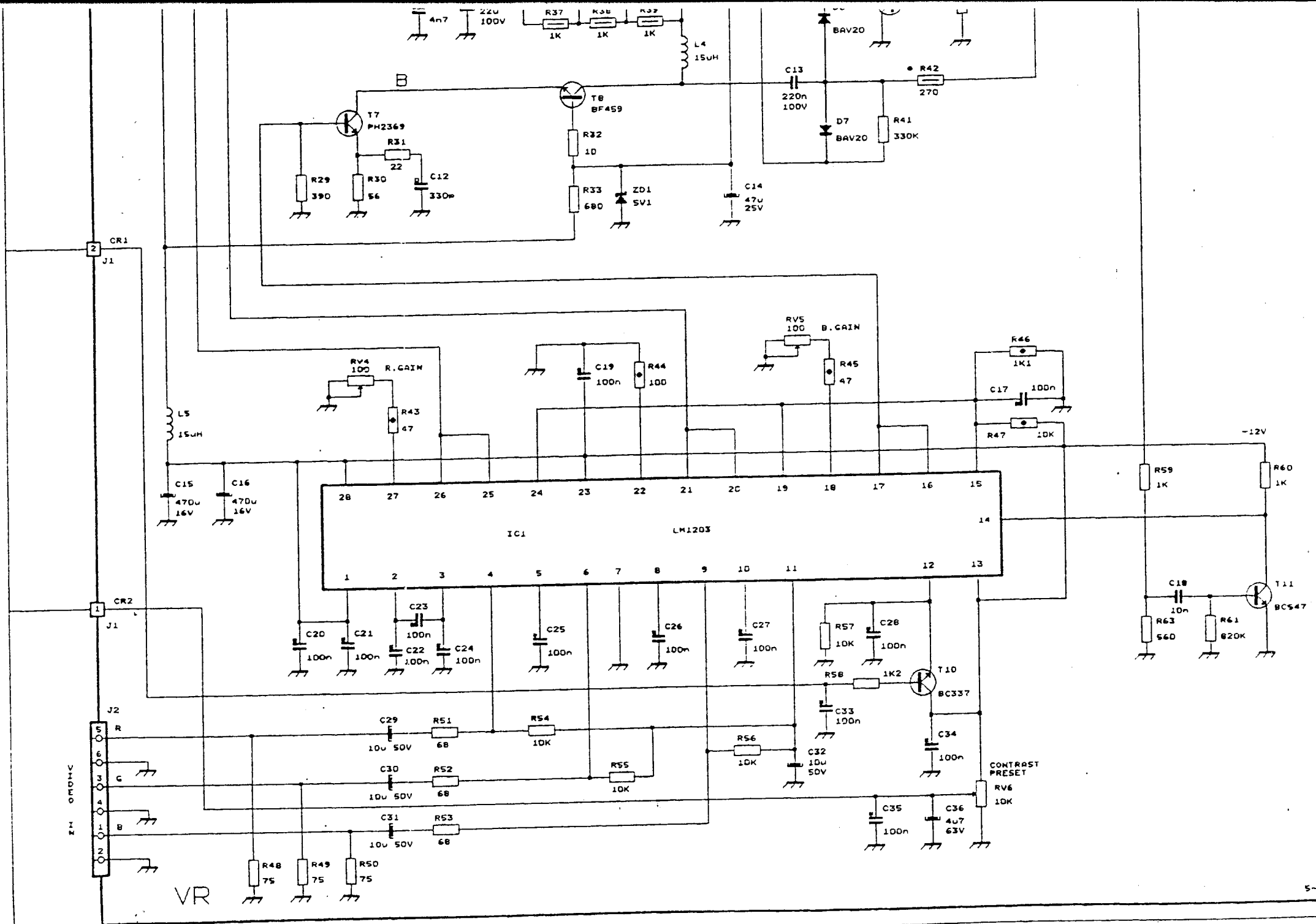


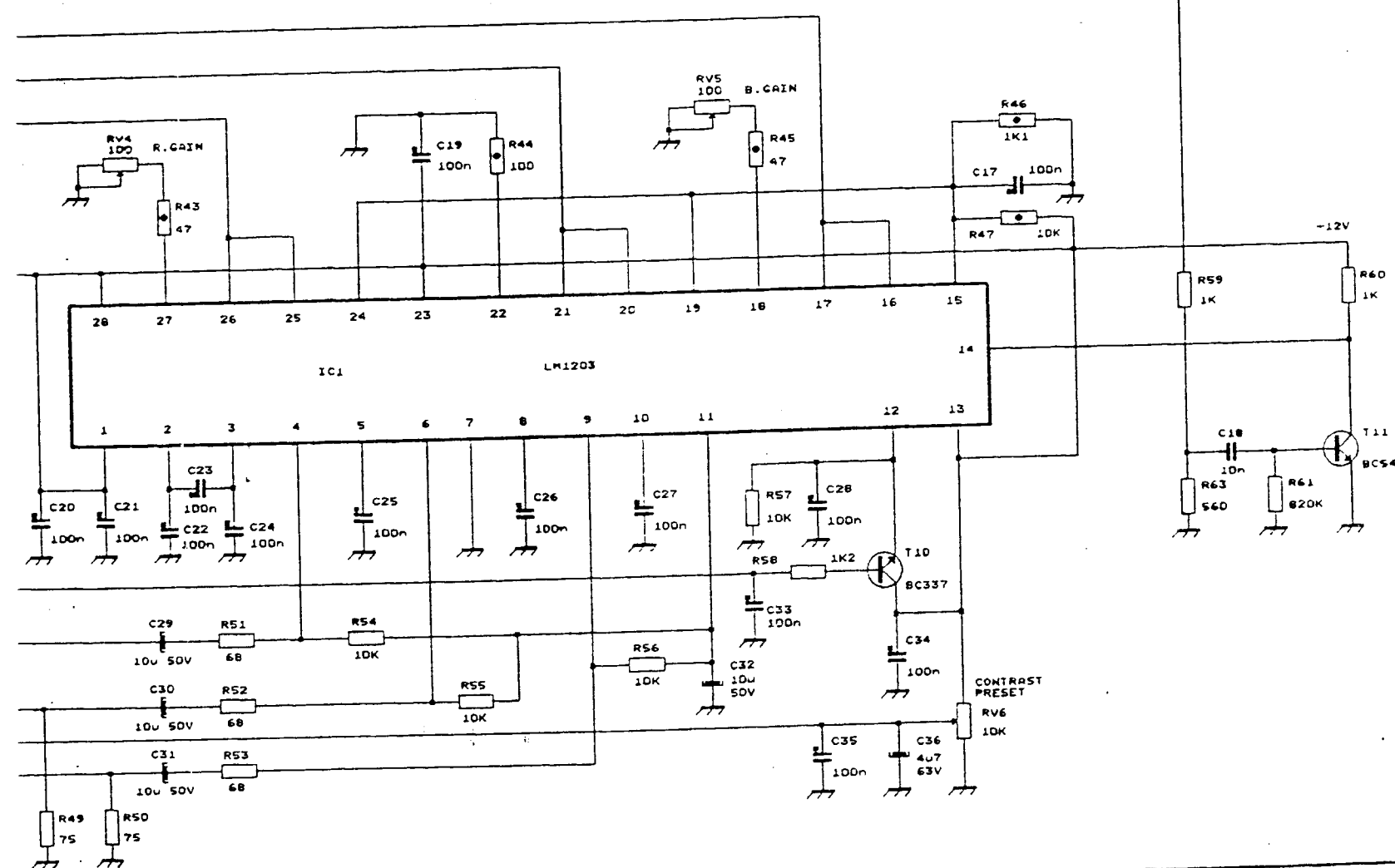
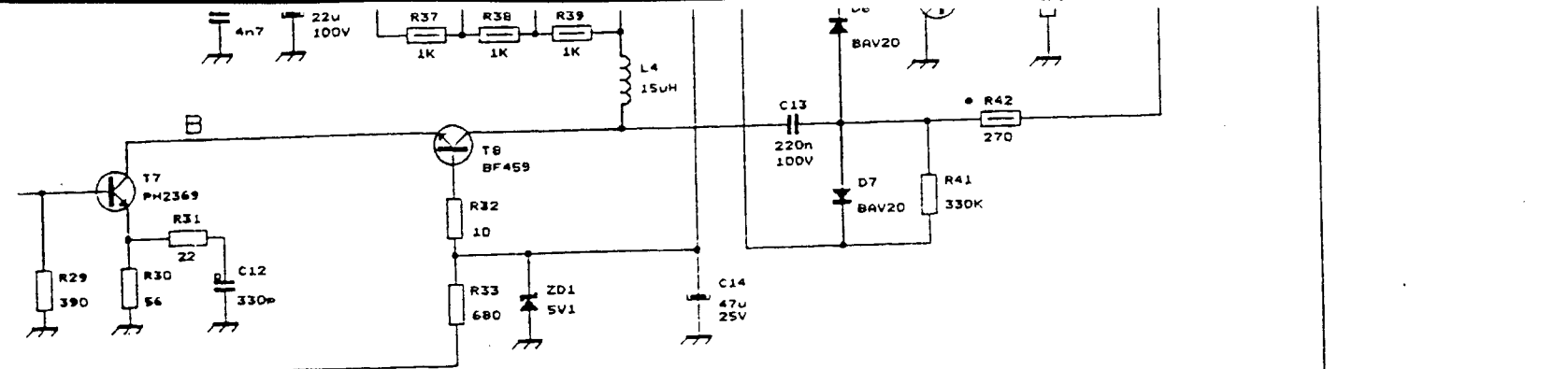


C.R.1
TOSHIBA M34KMH 23X01

NOTE: NOT MOLDED
CARBON RESISTOR







CDU1431/E VLMF
 VIDEO PASSIVO
 UTD182C.00